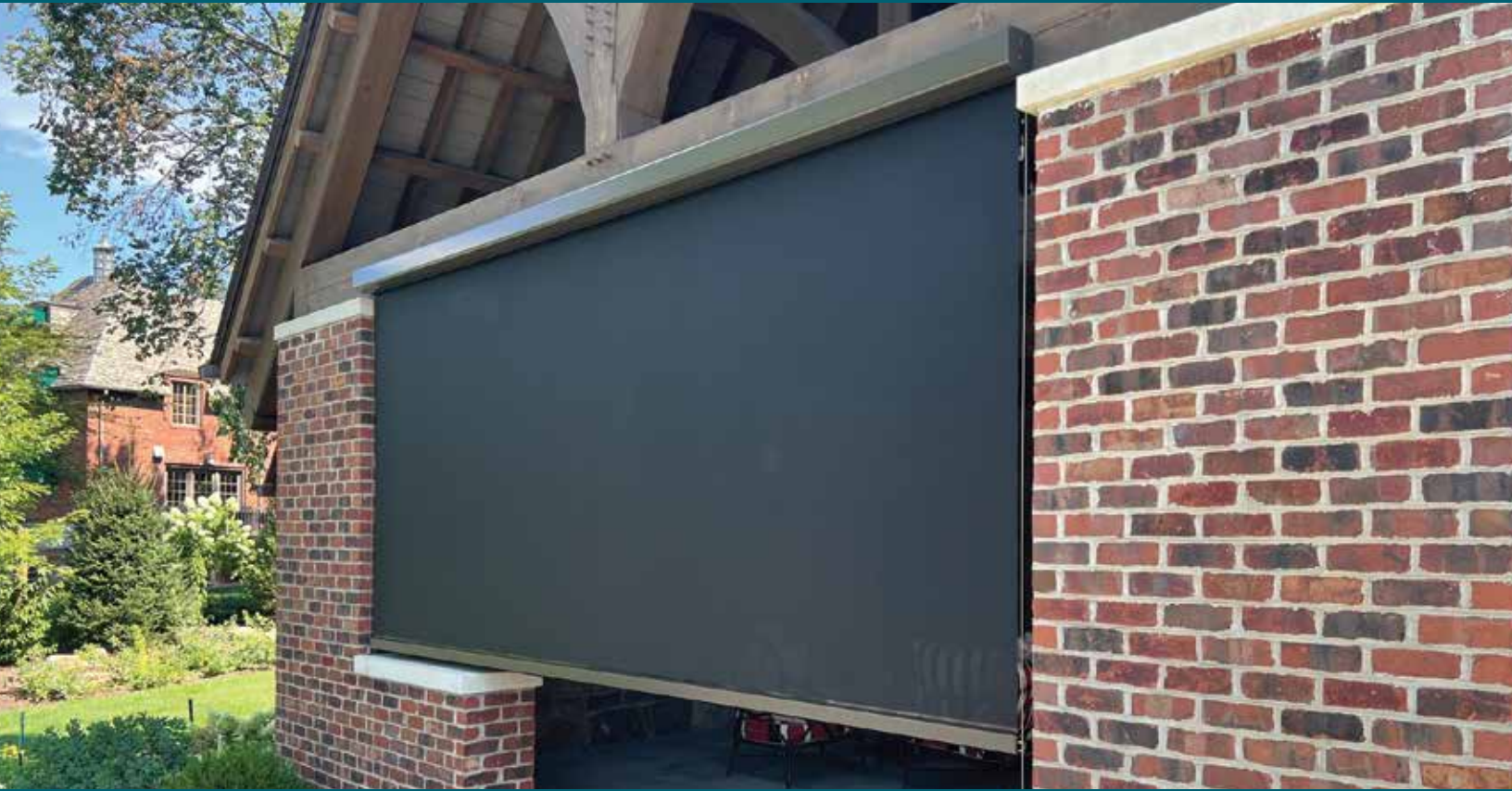




# EXTERIOR TRACK & CABLE SCREENS

• RESIDENTIAL/COMMERCIAL GRADE



Provide yourself with the ultimate comfort and solar protection with exterior cable & track screens. This Eclipse line of exterior mounted, cassette box style retractable solar screen will block up to 97 percent of the sun's damaging UV rays and heat from entering your living space.

This solar shading solution is even more effective than interior mounted shades, reducing air conditioning costs by as much as 40 percent and lowering room temperatures up to 20 degrees! Eclipse exterior mounted cassette screens greatly reduce fading of your furnishings while adding daytime privacy without obstructing your view indoors!

- ▼ Unit widths up to 20 feet wide
- ▼ Offered with drops up to 20 feet
- ▼ Limited lifetime framework warranty
- ▼ Can be incorporated into an existing automated system
- ▼ Motorized, with a full line of electronic enhancements by **somfy**
- ▼ Available guides include aluminum side tracks or coated stainless steel cables
- ▼ Optional electronics for worry-free operation and maximized efficiency
- ▼ Framework available in White, Alpine, Sierra, Walnut & Onyx standard colors
- ▼ **\*Premium colors provided on page 2.**
- ▼ **Suntex** Fabrics warrantied up to 15 years depending on selection

## PRODUCT DETAILS AND TECHNICAL SPECS

## WARRANTY INFORMATION

**Frame:** Limited Lifetime

**Fabric:** 15 Years\*\*

**Motor/Electronics:** 8 Years

\*\*Most fabrics. Optional clear windows not included.

See warranty for complete details

INCLUDED:



OPTIONAL:



## HARDWARE COLOR OPTIONS

**Standard Hardware Colors:**



WHITE SIERRA ALPINE



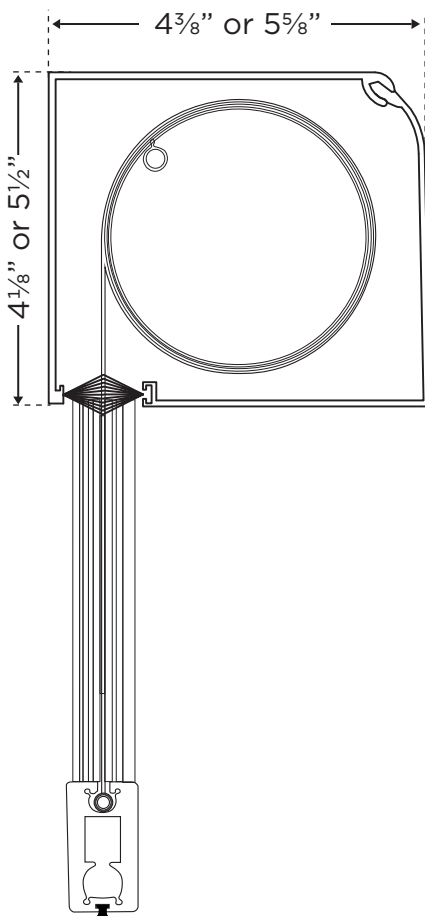
WALNUT ONYX

**Premium Hardware Colors:**



BLACK BRONZE DESERT SAND MODERN RUST TEXTURE OFF WHITE TAN TEXTURE DARK GREY TEXTURE  
GREY NAVAJO OIL RUBBED BRONZE TAN SILVER BROWN

## UNIT PROFILE VIEWS

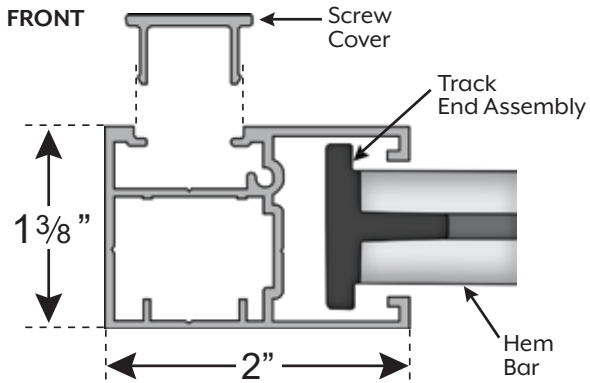


### 4" AND 5" Cable & Track Screens

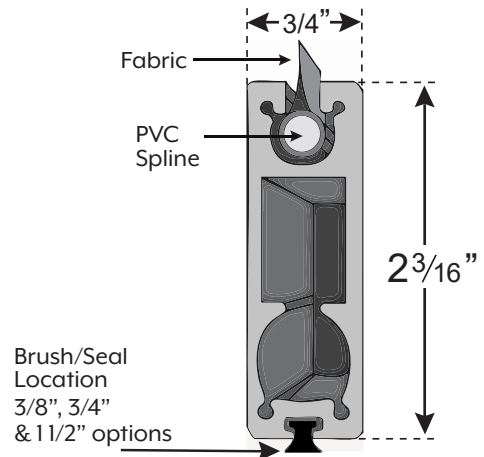
- Class 6 wind resistance tested to 80 mph
- Available in widths up to 240" (20'), measured from outside edge to outside edge of the cassette box
- Available in drops up to 240" (20'), measured from the top of the cassette box to the bottom of the hem/weight bar. Max drops not available in all fabrics
- Unit can be surface or recessed mounted
- Motorized unit with Somfy Maestria RTS motor, full electronics are available
- Heavy duty 70mm, 78mm or 85mm roller tube, depending on unit width
- 5" x 5" or 4" x 4" aluminum cassette box with aluminum cast end caps
- Available in a "no cassette" option
- Can select from several solar shading fabrics
- Hem/weight bar includes a 3/8" deep nylon brush to seal to floor surface. Other depths also available
- Stationary aluminum side track to provide smoother installations and long-term operations
- For cable guided units (no tracks) the hem bar has dual metal cable guides
- Standard seam placement will be as high as possible or specific seam placement is available; seam placement is measured from the bottom of the hem/weight bar

# UNIT PROFILE VIEWS

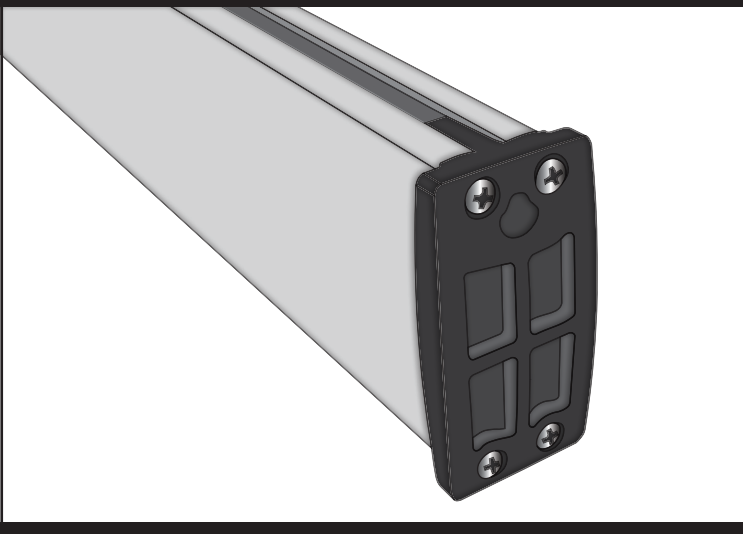
Track & Cable Screen • Side Track (Top View)



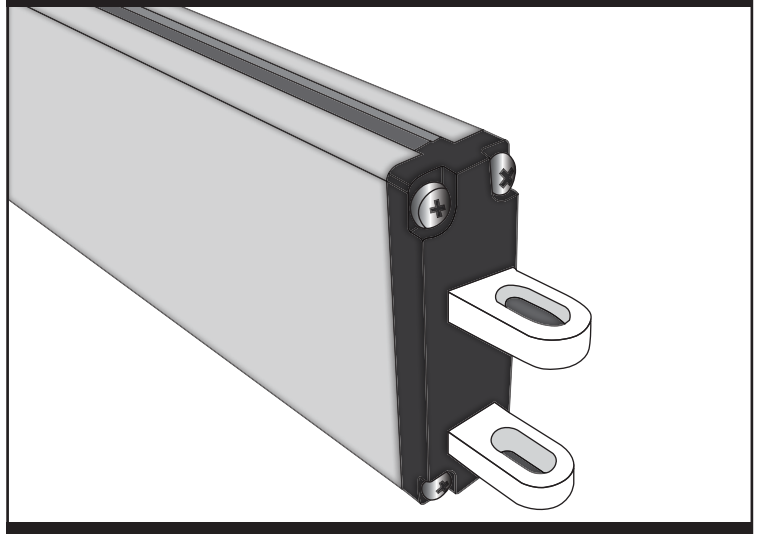
Track & Cable Screen • Hem Bar (Side View)



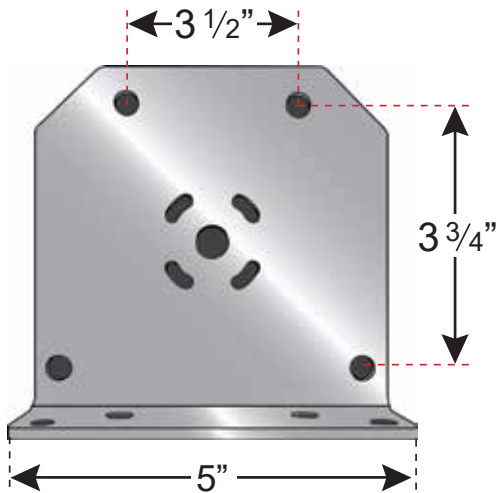
Track & Cable Screen • Hem Bar - Track End Assembly



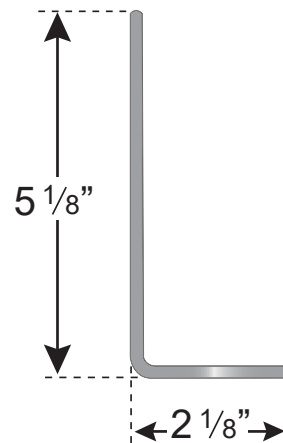
Track & Cable Screen • Hem Bar - Cable End Assembly



Track & Cable Screen  
5" No Cassette Bracket - Front View

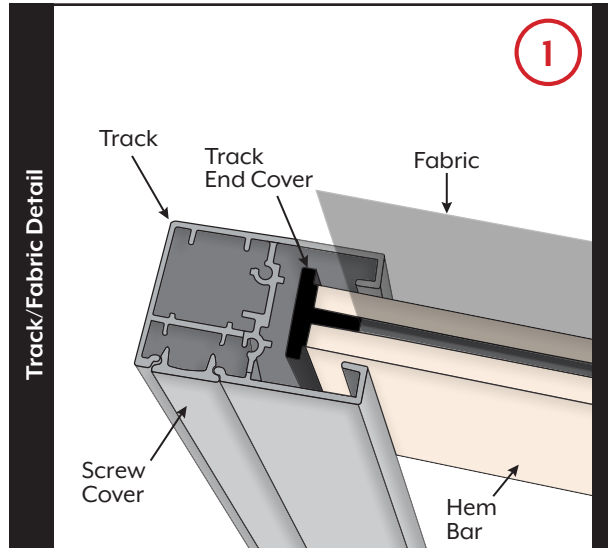
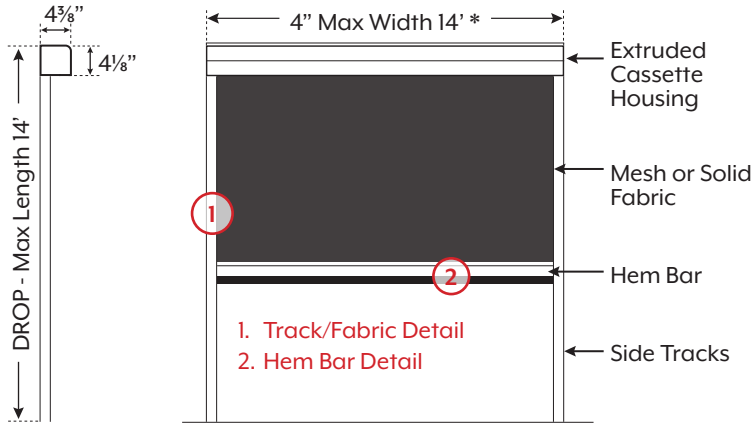


Track & Cable Screen  
5" No Cassette Bracket - Side View



INSTALLATION RESOURCES

4" TRACK & CABLE SCREEN



5" TRACK & CABLE SCREEN

