



The Eclipse Drop Arm Awning is your go to solution when you need full coverage of your porch and window. This shading solution feature is perfect in providing shade from low sun angles and helps reduce energy costs for your home. It can also be raised up when not needed and features up to 170 degrees on inclination.

- ▼ Available in widths up to 30'0" with drop & projection up to 5'0"
- ▼ Carries a comprehensive 10 year frame warranty
- ▼ Graphics can be added to the fabric for commercial signage
- ▼ Optional aluminum protective hood to guard the fabric from the elements
- ▼ Choose from more than 150 long lasting, fade resistant solution dyed acrylic **sunbrella** fabrics to best match your unique décor and style
- ▼ Motorized, push button operation by **somfy**.
- ▼ Spring loaded arms to keep the fabric taut
- ▼ Extended warranty coverage options available
- ▼ Frame available in White, Camel, and Spartan Bronze

## WARRANTY INFORMATION

**Frame:** 10 Years\*

**Fabric:** 10 Years\*

**Motor/Electronics:** 5 Years\*

\*To the original purchaser

Includes lifetime on fabric & motor\*

OPTIONAL:



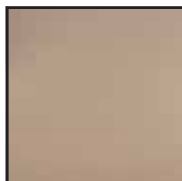
OPTIONAL:



## HARDWARE COLOR OPTIONS



WHITE



CAMEL



SPARTAN BRONZE

## MINIMUM WIDTHS

DRIVE TYPE	DROP ARM
	Minimum Width
Altus Non-Override	2'8¼"
RTS Override	3'0½"
Manual Gear	2'0"

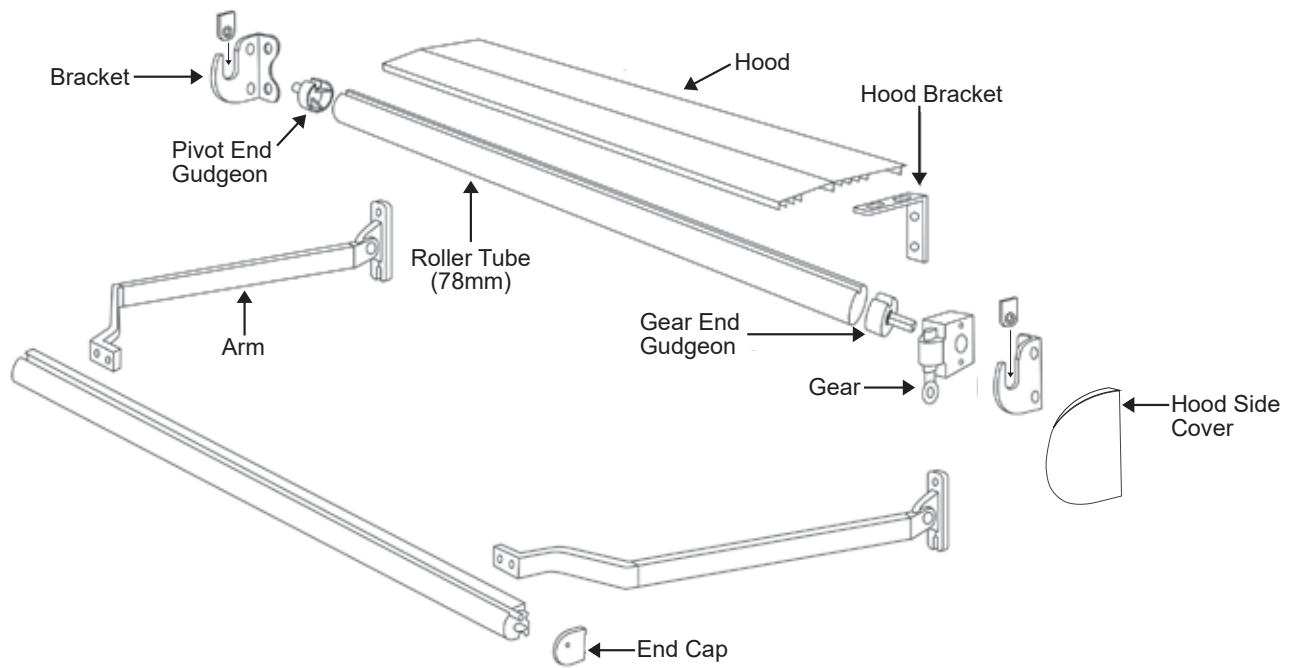
## ADJUSTABLE INCLINE



The retractable nature of the Drop Arm allows you to adjust the product to best suit your shading or privacy needs. You will reduce interior room temperatures up to 20 degrees by stopping the sun's heat before it reaches the glass. For low sun, The Drop Arm can be adjusted down to provide virtually complete coverage of the window or opening.

With 170 degrees of adjustable inclination, you determine how much of the sun's heat and light you need. When you desire full exposure, your Drop Arm awning can be fully retracted under its optional protective hood or stored under an overhang, protecting the fabric from the elements.

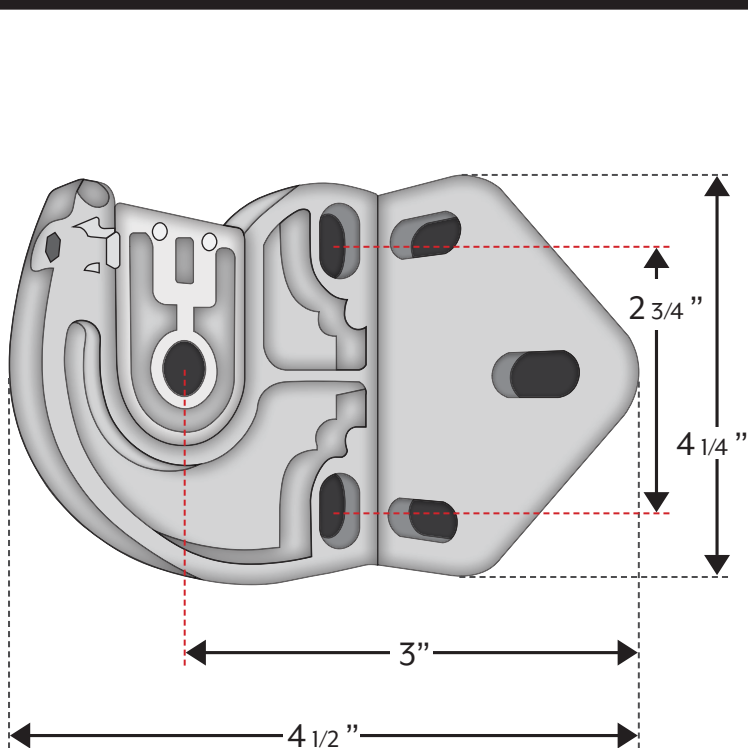
## UNIT PROFILE VIEWS



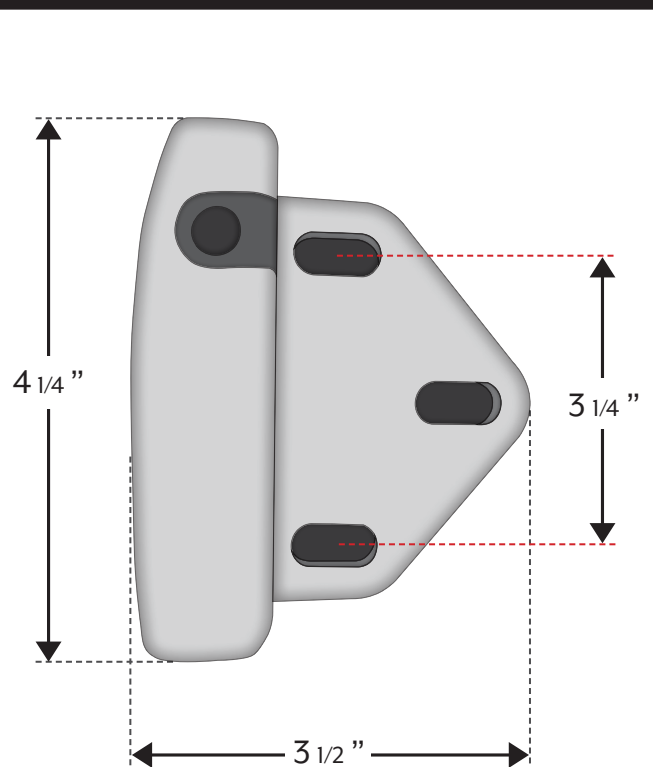
## BRACKET DIMENSIONS

### ► ECLIPSE DROP ARM BRACKET For wall or soffit mounting

Bracket - (Inside) Side View



Bracket - Front View



## ARM & BRACKET DETAILS

### NUMBER OF ARMS AND CENTER SUPPORT USE

UNIT WIDTH	# OF ARMS	CENTER SUPPORTS
up to 13'0"	2	0
13'0" to 20'0"	4	0
20'0 1/8" to 22'0"	4	2
22'0 1/8" to 30'0"	4	2

### HOOD BRACKET ASSIGNMENT

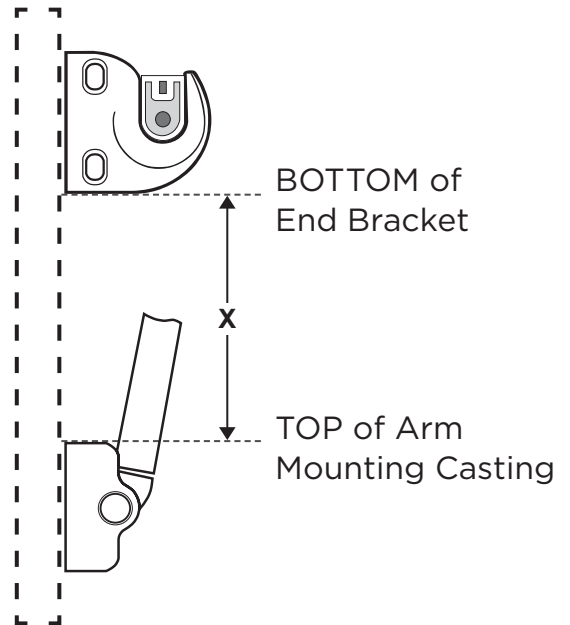
UNIT WIDTH	# OF BRACKETS	UNIT WIDTH	# OF BRACKETS
up to 6'0"	2	18' 1/8" to 22'0"	6
6' 1/8" to 10'0"	3	22'0" to 26'0"	7
10' 1/8" to 14'0"	4	26' 1/8" to 30'0"	8
14' 1/8" to 18'0"	5		

## VERTICAL POSITIONING

### VERTICAL POSITIONING OF DROP ARM

All dimensions are measured from the **BOTTOM** of the end bracket to the **TOP** of the arm mounting casting.

If Projection Is:	Then "X" Is:
2'0"	19 3/4"
2'4"	23 1/2"
2'8"	27 3/4"
3'0"	31 3/4"
3'4"	35 3/4"
3'8"	39 3/4"
4'0"	43 3/4"
4'4"	47 3/4"
4'8"	51 3/4"
5'0"	55 3/4"



## MOUNTING & ADJUSTING



### MOUNTING AND ADJUSTABILITY

Drop Arm awnings can be wall or ceiling mounted to provide shade where you need it. The spring loaded arms provide you the option to adjust the unit from fully retracted to full coverage.

### DEGREE OF INCLINATION

