

• RESIDENTIAL/COMMERCIAL GRADE



The Eclipse E-Zip will extend your living space, offer protection from the sun glare and heat, and keeps insects out! Available in a variety of colors and fabrics, these screens add practical, protective beauty to any home or business while still allowing you to appreciate your view.

The E-Zip is designed to be mounted on the exterior of your commercial or residential property and will provide you with a cool, insect-free environment. The Eclipse E-Zip solar shade and insect screen provides UV protection for you and your outdoor furnishings while allowing everyone to enjoy the beauty of the outdoors in privacy and security.

- ▼ Unit widths up to 24 feet wide
- ▼ Offered with drops up to 20 feet
- ▼ Limited lifetime framework warranty
- ▼ Can be incorporated into an existing automated system
- ▼ Motorized, with a full line of electronic enhancements by **somfy**
- ▼ Available guides include aluminum side tracks or coated stainless steel cables
- ▼ Optional electronics for worry-free operation and maximized efficiency
- ▼ Framework available in White, Alpine, Sierra, Walnut & Onyx standard colors
***Premium colors provided on page 2.**
- ▼ **Suntex** Fabrics warrantied up to 10 years depending on selection

WARRANTY INFORMATION

Frame: Limited Lifetime

Fabric: 15 Years**

Motor/Electronics: 8 Years

**Most fabrics. Optional clear windows not included.

See warranty for complete details

INCLUDED:

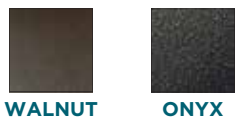


OPTIONAL:



HARDWARE COLOR OPTIONS

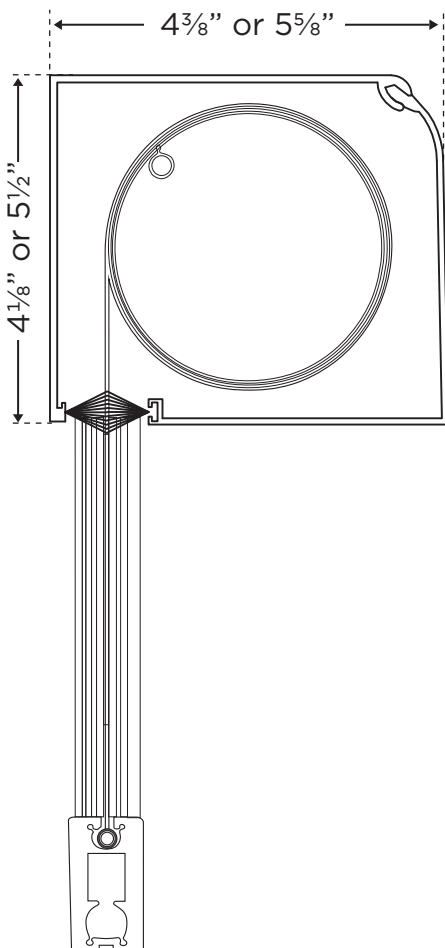
Standard Hardware Colors:



Premium Hardware Colors:



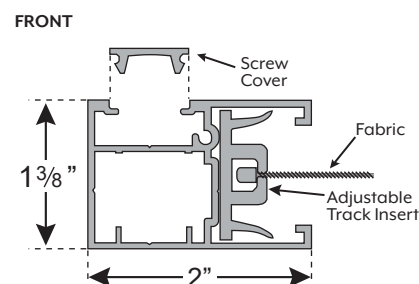
UNIT PROFILE VIEWS



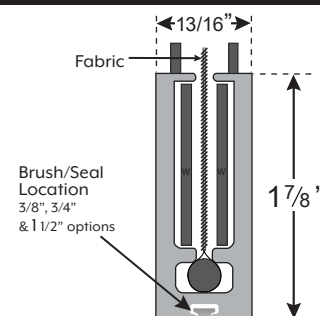
4" AND 5" E-ZIP

- Class 6 wind resistance tested to 80 mph
- Available in widths up to 288" (24'), measured from outside edge to outside edge of the cassette box
- Available in drops up to 240" (20'), measured from the top of the cassette box to the bottom of the hem/weight bar. Max drops not available in all fabrics
- Unit can be surface or recessed mounted
- Motorized unit with Somfy Maestria RTS motor, full electronics are available
- Heavy duty 70mm, 78mm or 85mm roller tube, depending on unit width
- 5" x 5" or 4" x 4" aluminum cassette box with aluminum cast end caps
- Can select from several solar shading fabrics
- Hem/weight bar includes a 3/8" deep nylon brush to seal to floor surface. Other depths available
- Stationary aluminum side track to provide smoother installations and long-term operations
- Standard seam placement will be as high as possible or specific seam placement is available; seam placement is measured from the bottom of the hem/weight bar

E-ZIP • Side Track (Top View)
Standard 4" & 5" versions

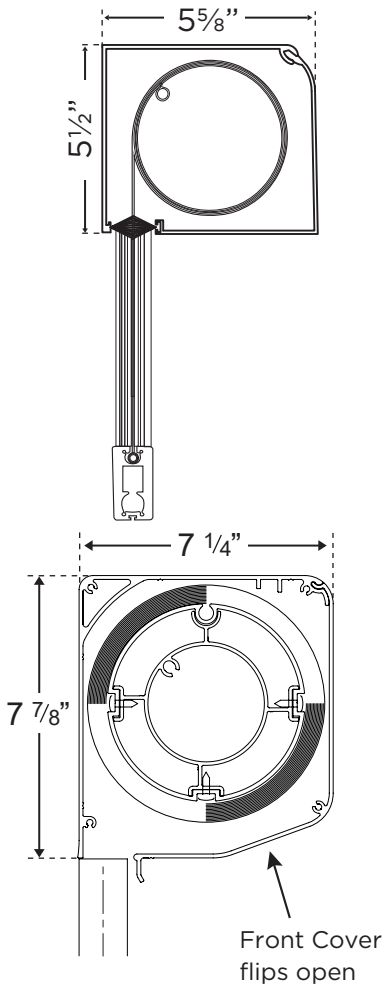


E-ZIP • Hem Bar (Side View)
Standard 4" & 5" versions



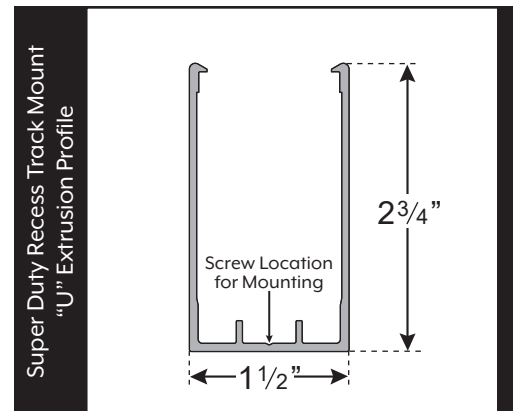
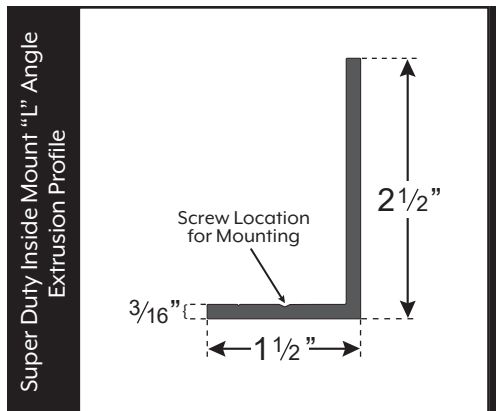
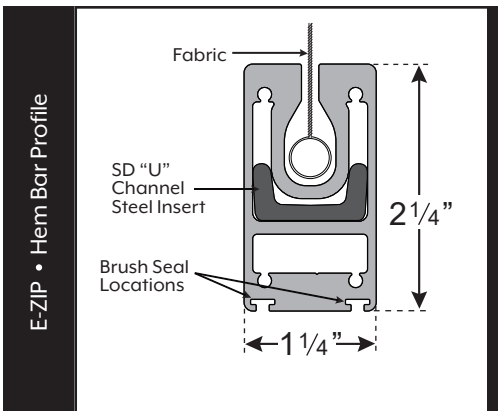
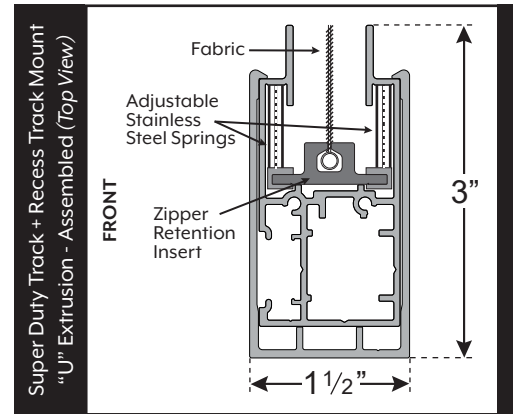
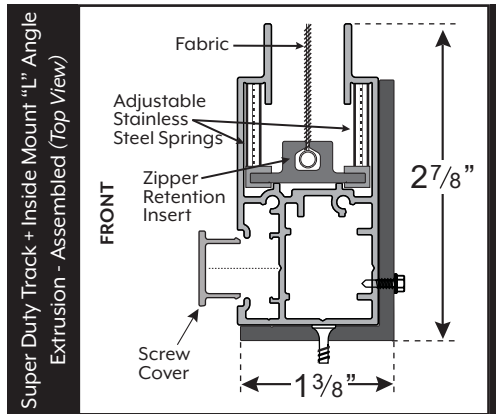
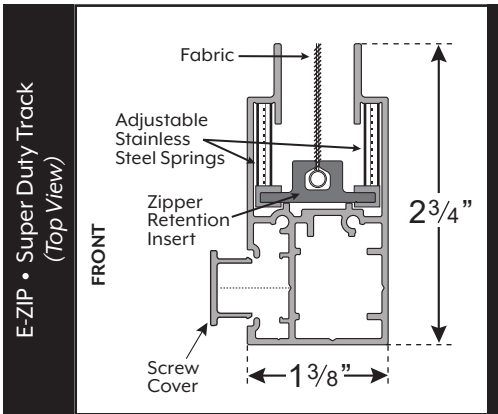
5" SUPER DUTY E-ZIP

- Available in the 5" cassette box ONLY, up to 24' wide (fabric dependent)
- See available drops based on fabric
- This upgrade changes all the components of the tracks and hem bar to the 7" Super Duty (SD) versions
- The Super Duty tracks are wider - see notes below
- Units installed as "Inside Mount" must also be ordered with the SD "L" Angle
- Aluminum Side track with Stainless steel springs every 12" to 16" to provide smoother fabric appearance and long-term operation
- Super Duty Hem Bar has an internal "U" channel insert to increase rigidity
- Hem Bar includes dual 3/8" deep nylon brush to seal to floor, other depths available



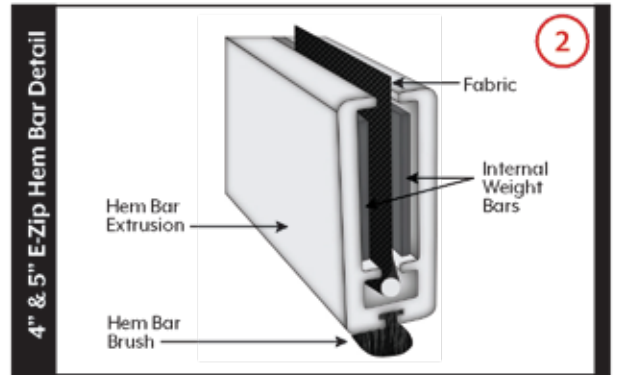
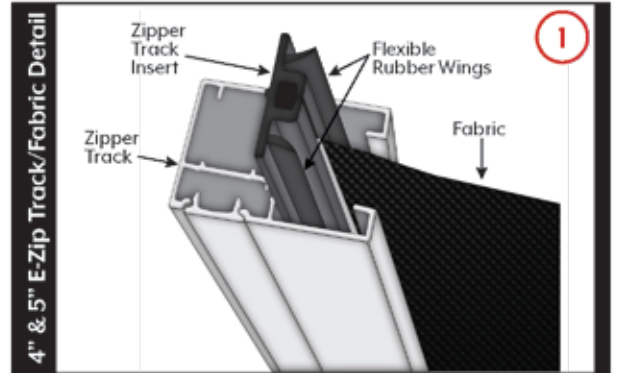
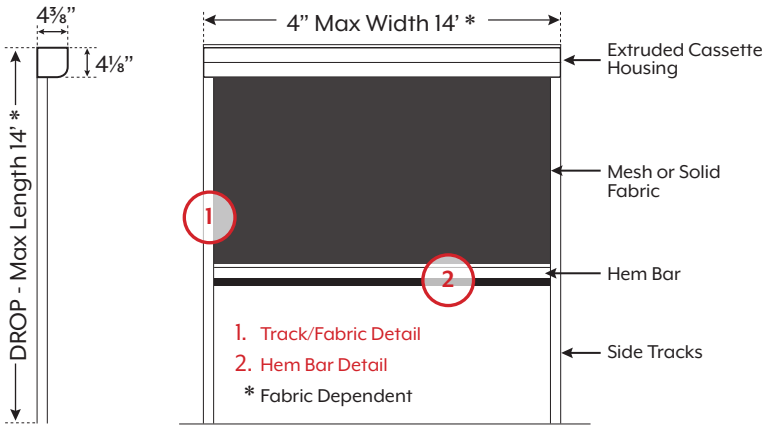
7" SUPER DUTY E-ZIP

- Available in widths up to 312" (26'), measured from outside edge to outside edge of the cassette box (depending on fabric and unit drop)
- Available in drops up to 240" (20'), measured from the top of the cassette box to the bottom of the hem/weight bar (depending on fabric and unit width)
- Unit can be surface, inside, or recessed mounted
- Heavy duty 140mm aluminum roller tube
- Units installed as "Inside Mount" must also be ordered with the Super Duty "L" Angle
- Cassette box MUST BE mounted; due to design and overall weight, the tracks are not designed to carry the unit weight
- Unit weight is an average of 15 pounds per foot of width
- Hem Bar includes a dual 3/8" deep nylon brush to seal to floor surface, other depths available
- Aluminum side track with stainless steel springs every 12" to 16" to provide smoother fabric appearance and long-term operations

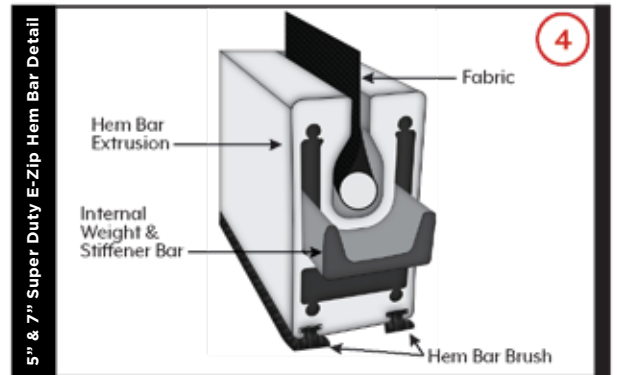
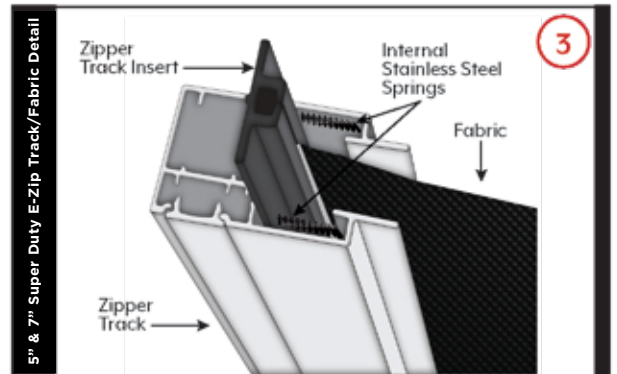
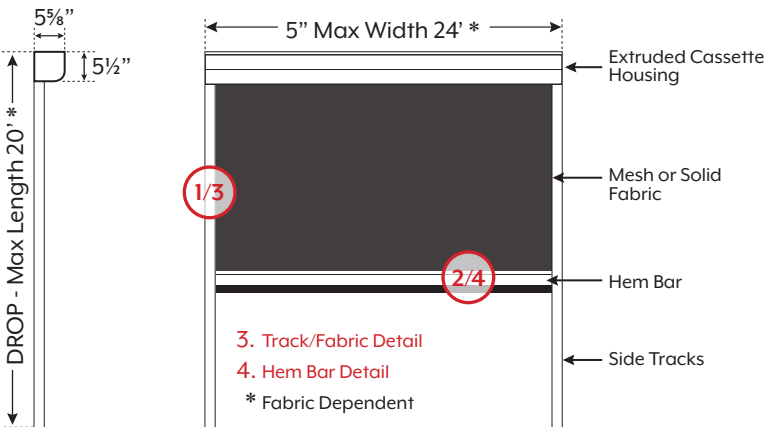


INSTALLATION RESOURCES

4" E-ZIP



5" E-ZIP & 5" SUPER DUTY E-ZIP



7" SUPER DUTY E-ZIP

