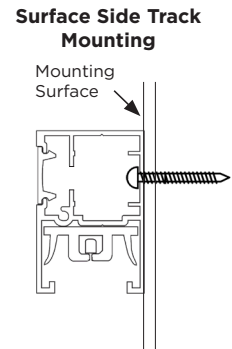
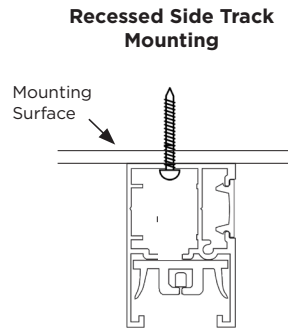
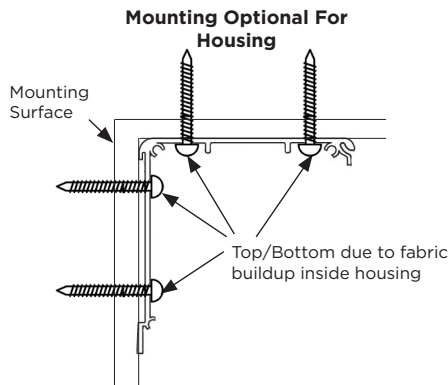
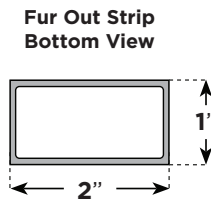
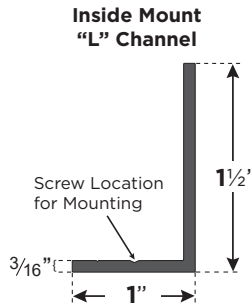
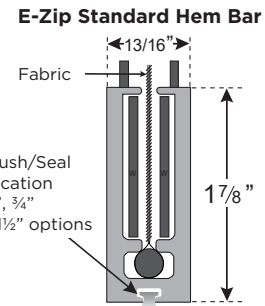
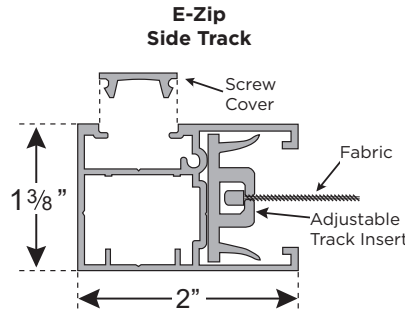
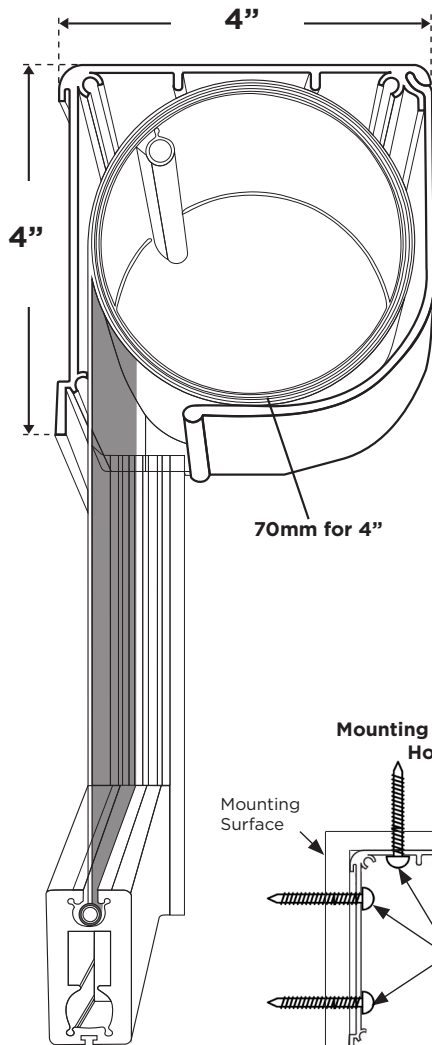


4" E-Zip Design Specifications



Application Data

- o Smaller openings, windows or limited clearance
- o Maximum size: 14' (W) x 12' (H) (bug screen)
- o Maximum size other fabrics: 12' (W) x 8' (H)
- o Solar gain & weather protection
- o Privacy or glare reduction

Standard Feature

- o #7 nylon side retention zippers
- o RF welded fabric seams & zipper attachment
- o Built-in sweeps fabric cleaning system
- o Surface or inside mounting sidetracks
- o UL listed motor

Fabric Options

- o Bug screen
- o No-See-um
- o 80 to 99% blocking
- o Solid acrylic

Optional Features

- o 5 powder coated hardware colors
- o Electronic controls
- o Dozens of colors and openness fabrics
- o Matching aluminum "L" angle and 1' x 2' fur outs
- o Motor location in cassette box, left or right

Fabrication Data

- o Assembled in USA
- o Super durable powder coated
- o Aluminum extrusions
- o 70mm zinc-magnesium steel roller tube
- o Stainless fasteners

Electrical Information

- o 120 VAC/60Hz Somfy Maestria UL listed motor
- o 1.5 amp power draw
- o 10' or 24' powder cord
- o 20 RPM 54dBA

Hardware Color Options

- o White (9016 gloss)
- o Onyx (9005 textured black)
- o Alpine (9016 tetured white)
- o Walnut (textured bronze)
- o Sierra (textured sand)
- o RAL custom

