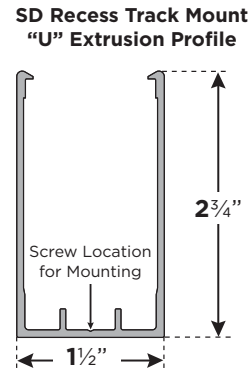
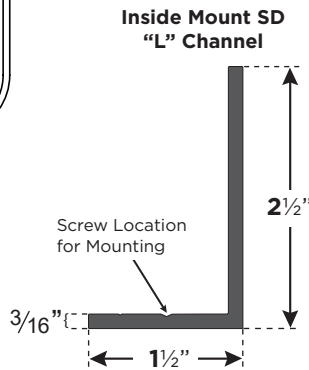
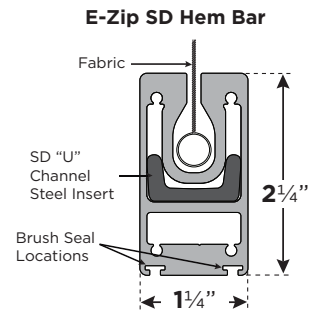
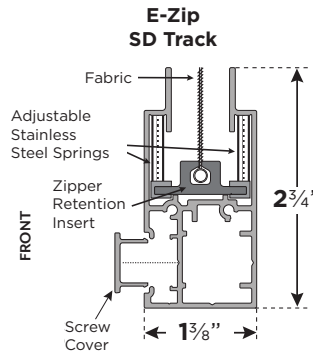
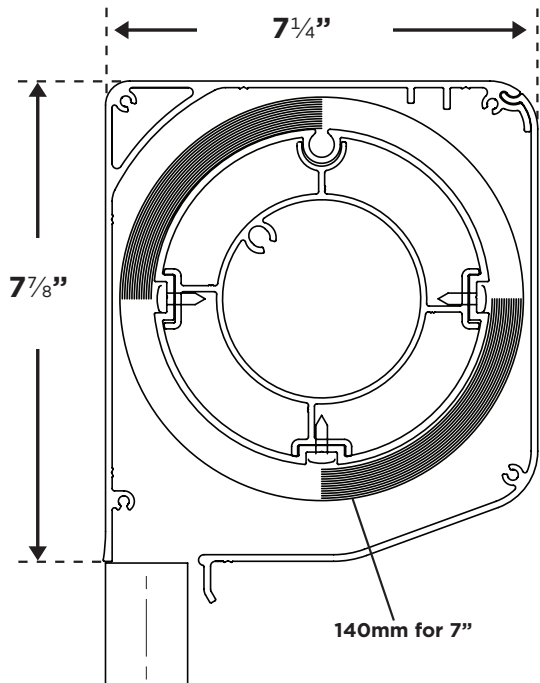


# 7" E-Zip SD Design Specifications

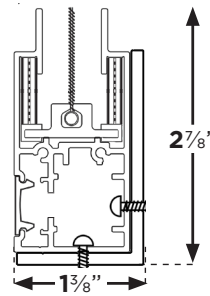
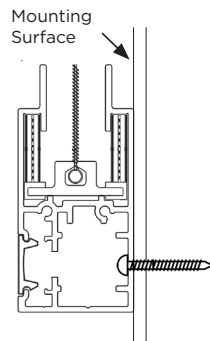
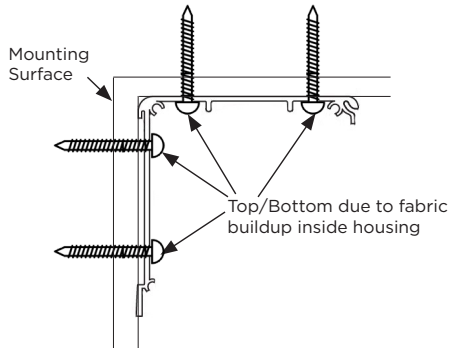


Mounting Optional For Housing

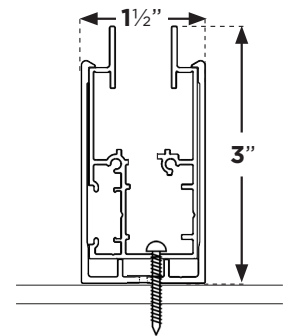
Surface Track Mounting

"L" Angle Extrusion Profile

SD Recess Track Mounting Profile



(Mounting location depends on application)



## Application Data

- Very larger openings & windy areas
- Maximum size 26' wide x 20' tall (bug screen)
- Solar gain & weather protection
- Privacy or glare reduction

## Fabrication Data

- Assembled in USA
- Super durable powder coated
- Aluminum extrusions
- 140mm heavy walled aluminum roller tube
- Stainless fasteners
- Tracks with stainless springs for fabric tension

## Standard Feature

- #7 nylon side retention zippers
- RF welded fabric seams & zipper attachment
- Built-in sweeps fabric cleaning system
- Surface or inside mounting sidetracks
- UL listed motor
- Heavy duty tracks & hem bar

## Electrical Information

- 120 VAC/60Hz Somfy Maestria UL listed motor
- 2.1 amp power draw
- 10' or 24' powder cord
- 20 RPM 54dBA

## Fabric Options

- Bug screen
- No-See-um
- 80 to 99% blocking
- Solid acrylic
- Clear windows

## Hardware Color Options

- White (9016 gloss)
- Onyx (9005 textured black)
- Alpine (9016 textured white)
- Walnut (textured bronze)
- Sierra (textured sand)
- RAL custom

## Optional Features

- 5 powder coated hardware colors
- Electronic controls
- Dozens of colors and openness fabrics
- Matching aluminum "L" angle and 1' x 2' fur out
- Motor location in cassette box, left or right

