



# ECLIPSE PREMIER

• STANDARD • SEMI CASSETTE



**MIAMI-DADE  
COUNTY**  
— APPROVAL —  
NOA# 20 - 124.02

Think of the Eclipse Premier as the “Gold Standard” of our Eclipse Awning Line. When you select the Eclipse Premier you receive several key product enhancements including, heavy duty torsion bars for greater unit rigidity and our unique, CB3 - Premier Arms. Our Premier arms feature sealed ball bearings and a concealed arm belt for a long smooth and lifetime operation.

- ▼ Awning Widths up to 40 feet (Ships up to 26' in one piece)
- ▼ Awning Projections up to 13 feet
- ▼ Semi Cassette option available up to 23'0" x 13' projection
- ▼ Premier Arms featuring sealed ball bearing & concealed arm belt
- ▼ Choose from more than 150 long lasting, fade resistant solution dyed acrylic **sunbrella** fabrics to best match your unique décor and style
- ▼ Motorized, with full line of electronic enhancements by **somfy**
- ▼ Heavy duty torsion bar for increased unit rigidity
- ▼ Platinum Protection extended warranty coverage
- ▼ Frame available in White, Spartan Bronze, Camel and Onyx

## PRODUCT DETAILS AND TECHNICAL SPECS

## WARRANTY INFORMATION

**Frame:** Lifetime\*

**Fabric:** 12 Years\*

**Motor/Electronics:** 8 Years\*

\*To the original purchaser

Includes lifetime on fabric & motor\*

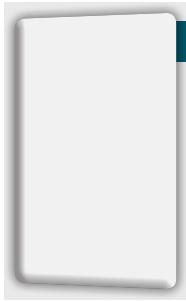
INCLUDED:



OPTIONAL:



## HARDWARE COLOR OPTIONS



WHITE



CAMEL  
RAL 1019



SPARTAN BRONZE  
Eclipse Unique Color



ONYX

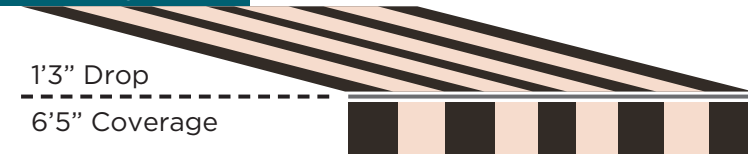
## MINIMUM WIDTHS

MINIMUM WIDTHS	
<i>(Open Roller or Standard Hood)</i>	
Projection	Minimum Width
6'7"	8'3"
8'2"	10'0"
10'6"	12'6"
11'6"	13'3"
13'0"	14'10"

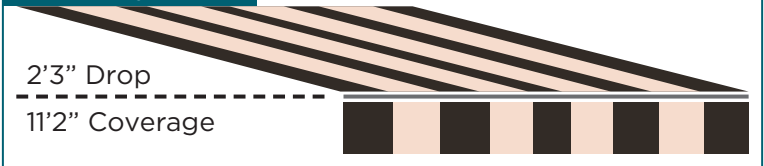
MINIMUM WIDTHS	
<i>(Semi Cassette ONLY)</i>	
Projection	Minimum Width
6'7"	8'9"
8'2"	10'5"
10'6"	12'10"
11'6"	13'8"
13'0"	15'4"

## MINIMUM PITCH REQUIREMENTS

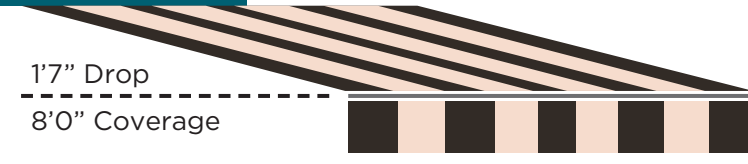
### 6-7 Projection



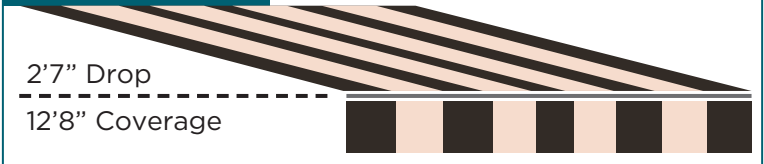
### 11-6 Projection



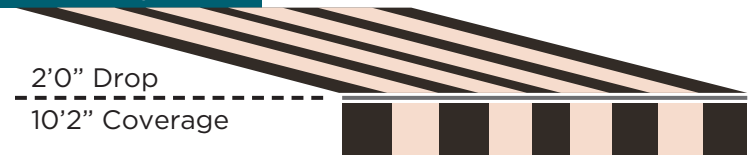
### 8-2 Projection



### 13-0 Projection



### 10-6 Projection

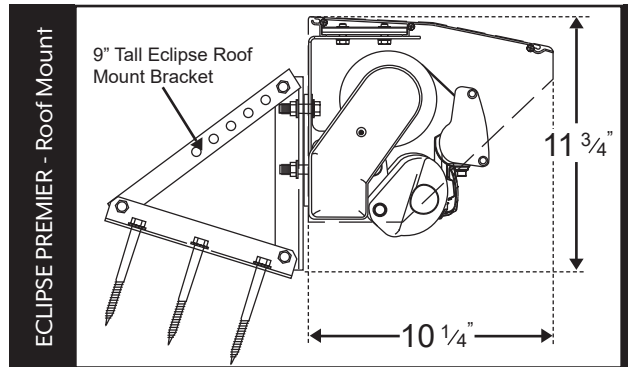
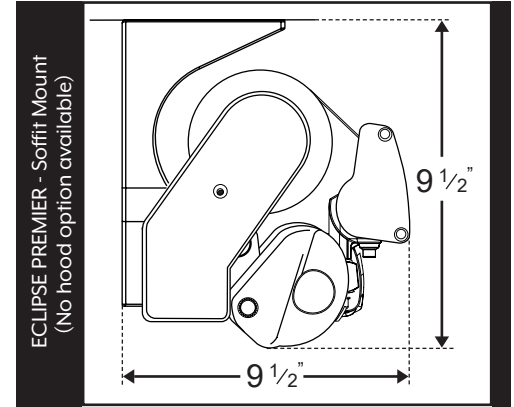
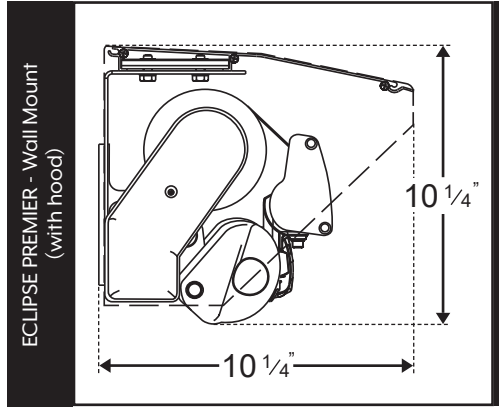
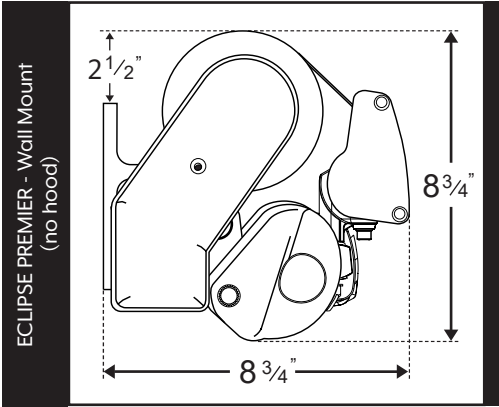


### Semi Cassette Notes:

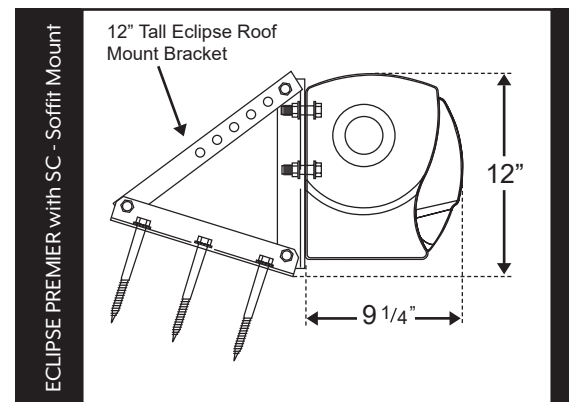
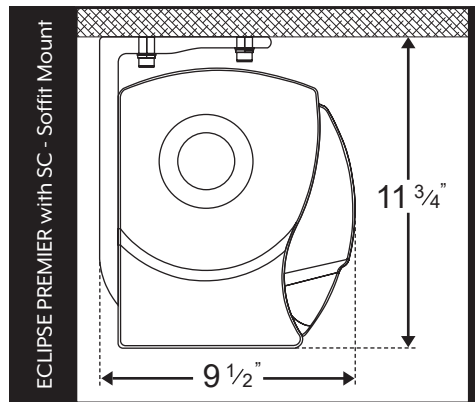
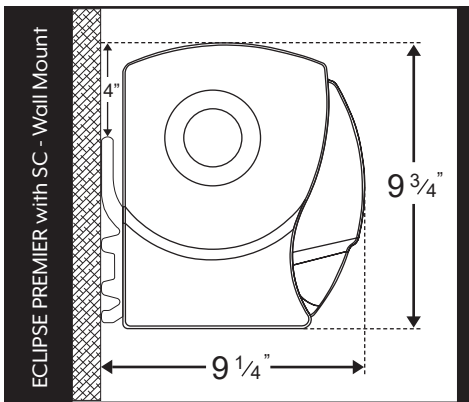
- ▶ Not available in manual operation or with standard motors
- ▶ Minimum achievable pitch setting for 13'0" projection is 3'3" drop

# UNIT PROFILE VIEWS

## ECLIPSE PREMIER



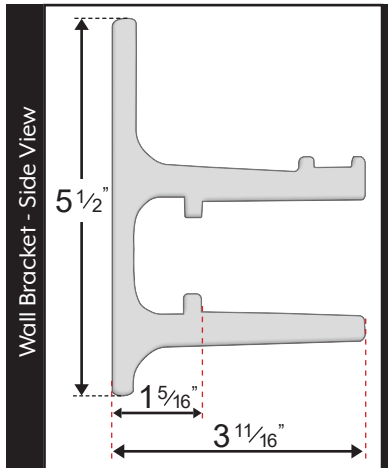
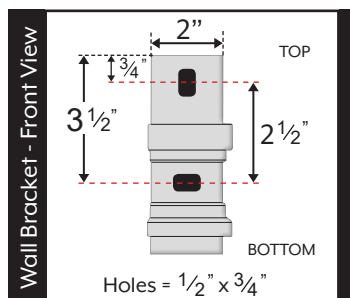
## ECLIPSE PREMIER WITH SEMI CASSETTE



## BRACKET DETAILS

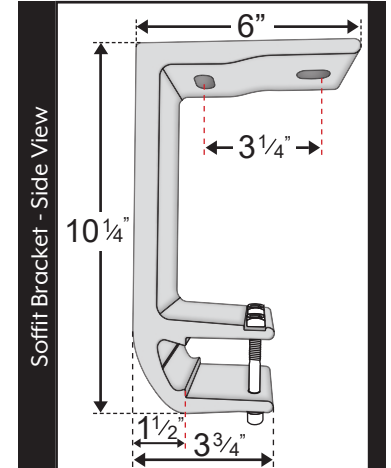
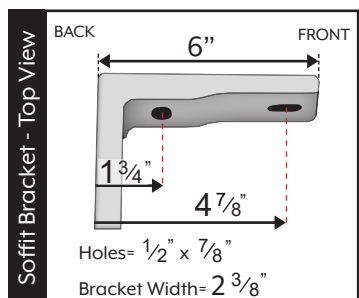
### 40 x 40mm WALL MOUNT BRACKET

- All Sizes
- All Formats
- All Options



### 40 x 40mm EXTRUDED SOFFIT MOUNT BRACKET

- 11'6" PROJECTION & OVER
- All Projections with Drop Shade
- All Formats • All Options



\*For all units up to 10'6" projections or without drop shade, please refer to the Bracket Details in the Eclipse Technical Specs Guide.

## INSTALLATION RESOURCE

### NUMBER OF ARMS BY PROJECTION

Standard Unit	2 Arms	6'7"	8'2"	10'6"	11'6"	13'0"
	Min Widths	8'3"	10'0"	12'6"	13'3"	14'10"
	Max Widths	20'0"	20'0"	20'0"	20'0"	21'11 7/8"
3 Arms	6'7"	8'2"	10'6"	11'6"	13'0"	
	Min Widths	N/A	20'1/8"	20'1/8"	20'1/8"	22'0"
	Max Widths	N/A	23'11 7/8"	26'11 7/8"	30'11 7/8"	31'11 7/8"
4 Arms	6'7"	8'2"	10'6"	11'6"	13'0"	
	Min Widths	20'1/8"	24'0"	27'0"	31'0"	32'0"
	Max Widths	40'0"	40'0"	40'0"	40'0"	40'0"
Semi Cassette	2 Arms	6'7"	8'2"	10'6"	11'6"	13'0"
	Min Widths	8'9"	10'5"	12'10"	13'8"	15'3"
	Max Widths	20'0"	20'0"	20'0"	19'11 7/8"	22'11 7/8"
3 Arms	6'7"	8'2"	10'6"	11'6"	13'0"	
	Min Widths	N/A	20'1/8"	20'1/8"	20'0"	23'0"
	Max Widths	N/A	23'0"	23'0"	23'0"	23'0"
4 Arms	6'7"	8'2"	10'6"	11'6"	13'0"	
	Min Widths	20'1/8"	N/A	N/A	N/A	N/A
	Max Widths	23'0"	N/A	N/A	N/A	N/A

### INSTALLATION BRACKET ASSIGNMENT - ALL FORMATS

Bracket Count	Projection				
	6'-7"	8'-2"	10'-6"	11'-6"	13'-0"
3	up to 12'11 7/8"	up to 12'11 7/8"	up to 12'11 7/8"	up to 10'11 7/8"	N/A
4	13' to 16'11 7/8"	13' to 16'11 7/8"	13' to 16'11 7/8"	11' to 16'11 7/8"	up to 16'11 7/8"
5	17' to 20'	17' to 20'	17' to 20'	17' to 19'11 7/8"	17' to 19'11 7/8"
6	N/A	N/A	20'0 1/8" to 22'11 7/8"	20' to 22'11 7/8"	20' to 22'11 7/8"
7	N/A	N/A	23' to 26'11 7/8"	23' to 30'11 7/8"	23' to 30'11 7/8"
8	20'0 1/8" to 34'11 7/8"	20'0 1/8" to 34'11 7/8"	27' to 34'11 7/8"	31' to 34'11 7/8"	31' to 34'11 7/8"
9	35' to 36'11 7/8"	35' to 36'11 7/8"	35' to 36'11 7/8"	35' to 36'11 7/8"	N/A
10	37' to 40'	37' to 40'	37' to 40'	37' to 40'	35' to 40'

## SPECIAL FEATURES

### MOUNTING & FABRIC PROTECTION

The Eclipse Premier can be ordered One of Three ways:

1. A fully exposed rolled up fabric referred to as an "Open Roller" is typically used for soffit mounting or when overhead protection is provided just above the unit.
2. The "Standard Hood" is a 10 1/4" deep color matching powder coated aluminum hood with side covers. It is ideal for wall mounting or can be used for roof mounting. Adds 1" to the overall unit width.
3. The Semi Cassette provides full fabric protection with a powder coated aluminum housing and integrated front bar, ideal for any kind of mounting and offers a clean look.



Open Roller

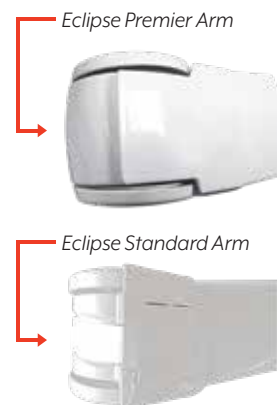


Standard Hood

Semi Cassette

### IMPROVED PREMIER ARMS

- 21% more arm tension than our Eclipse model for stronger, tighter fabric.
- Tested to 72,000 cycles - 20% longer expected life than the Eclipse model.
- Thicker, contoured arm profiles for reduced arm deflection.
- The Eclipse brand exclusive ABT arm belt is hidden for a clean, finished look.
- Sealed dual ball bearing elbows with a larger radius curve for smoother operation and better arm tension.



Eclipse Premier Arm

Eclipse Standard Arm



Semi Cassette