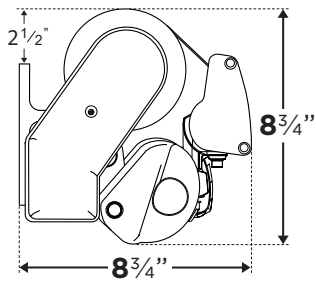
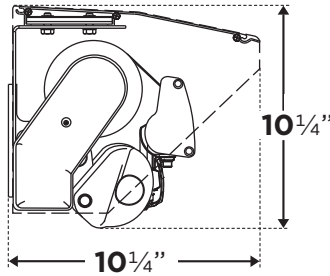


Eclipse Premier Design Specifications

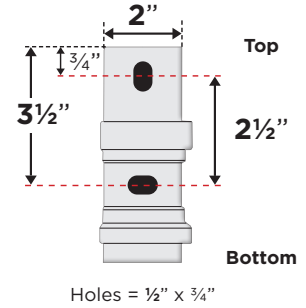
**Premier - Wall Mount
(No Hood)**



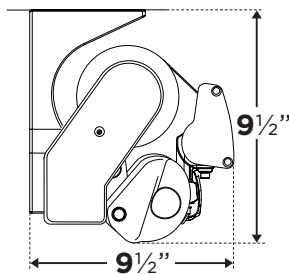
**Premier - Wall Mount
(With Hood)**



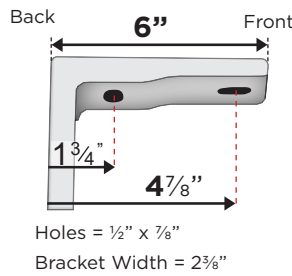
Wall Bracket - Front View



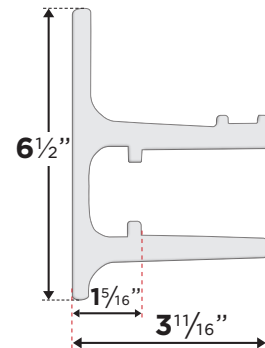
**Premier - Soffit Mount
(No Hood option available)**



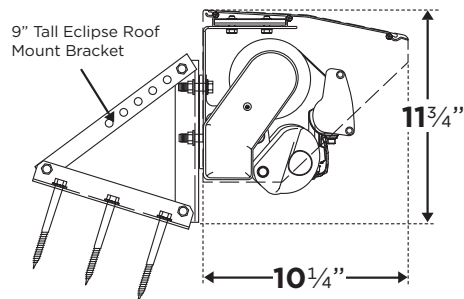
Soffit Bracket - Top View



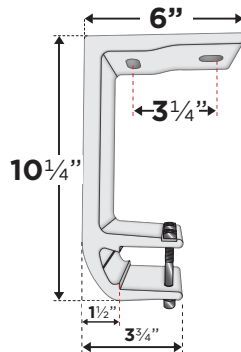
Wall Bracket - Side View



Premier - Roof Mount



Soffit Bracket - Side View



Application Data

- Ultra premium grade lateral arm
- Widths from 9' to 40'
- Projections range from 6'7" to 13'0"
- Miami-Dade certified NOA

Electronic Options

- Wind sensor
- Sun sensor
- Rain sensor
- Wireless wall switches
- Multi channel transmitters
- App controlled connectivity

Standard Feature

- Concealed 10 cable ABT belt system
- Plug-in motor with override motor
- 40mm aluminum torsion bar
- Sealed bearing arm joints

Hardware Color Options

- White (9016 gloss)
- Onyx (9005 textured black)
- Camel (Custom gloss)
- Spartan Bronze (Custom gloss)

Fabric Options

- 100% acrylic Sunbrella shade fabric, 150+ patterns & colors.

Mounting Options

- Wall
- Soffit
- Roof

Optional Features

- Lighting
- Front drop shade
- Aluminum protective hood

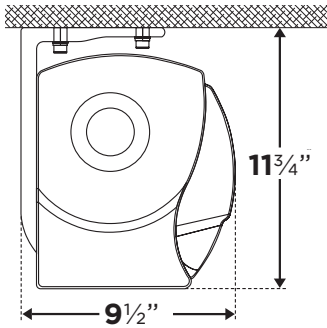
Fabrication Data

- Assembled in USA
- 70 & 78mm zinc-magnesium steel roller tube

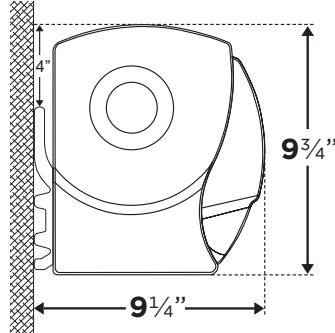


Eclipse Premier Semi Cassette Design Specifications

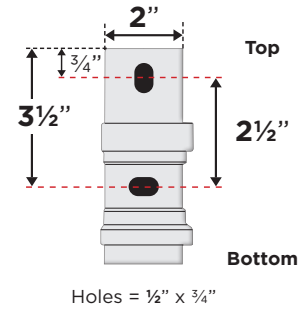
**Premier - with SC
Soffit Mount**



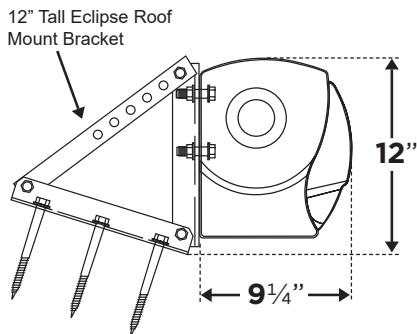
**Premier - with SC
Wall Mount**



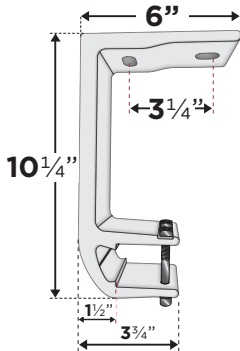
Wall Bracket - Front View



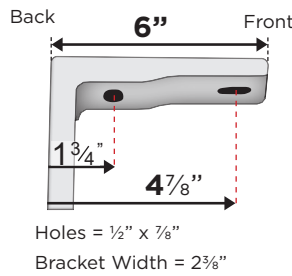
Premier with SC - Soffit Mount



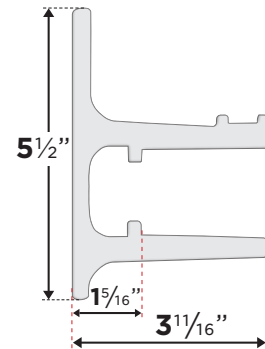
Soffit Bracket - Side View



Soffit Bracket - Top View



Wall Bracket - Side View



Application Data

- Ultra premium grade lateral arm
- Widths from 9' to 23'
- Projections range from 6'7" to 13'0"

Electronic Options

- Wind sensor
- Sun sensor
- Rain sensor
- Wireless wall switches
- Multi channel transmitters
- App controlled connectivity

Standard Feature

- Concealed 10 cable ABT belt system
- Plug-in motor with override
- Sealed bearing arm joints

Hardware Color Options

- White (9016 gloss)
- Onyx (9005 textured black)
- Camel (Custom gloss)
- Spartan Bronze (Custom gloss)

Standard Feature

- 100% acrylic Sunbrella shade fabric, 150+ patterns & colors.

Mounting Options

- Wall
- Soffit
- Roof

Optional Features

- Lighting
- Aluminum protective housing
- With or without front valance

Fabrication Data

- Assembled in USA
- 78mm zinc-magnesium steel roller tube

