



• RESIDENTIAL/COMMERCIAL GRADE



Provide yourself with the ultimate comfort and solar protection with HD Screens. This Eclipse line of exterior mounted, cassette box style retractable solar screen will block up to 97 percent of the sun's damaging UV rays and heat from entering your living space.

This solar shading solution is even more effective than interior mounted shades, reducing air conditioning costs by as much as 40 percent and lowering room temperatures up to 20 degrees! Eclipse exterior mounted cassette screens greatly reduce fading of your furnishings while adding daytime privacy without obstructing your view indoors!

- ▼ Unit widths up to 24 feet wide
- ▼ Offered with drops up to 20 feet
- ▼ Limited lifetime framework warranty
- ▼ Can be incorporated into an existing automated system
- ▼  Fabrics warrantied up to 10 years depending on selection
- ▼ Motorized, with a full line of electronic enhancements by 
- ▼ Available guides include aluminum side tracks or coated stainless steel cables
- ▼ Optional electronics for worry-free operation and maximized efficiency
- ▼ Framework available in White, Desert Sand, Spartan Bronze, and Onyx

PRODUCT DETAILS AND TECHNICAL SPECS

WARRANTY INFORMATION

Frame: Limited Lifetime

Fabric: 15 Years**

Motor/Electronics: 8 Years

**Most fabrics. Optional clear windows not included.

See warranty for complete details

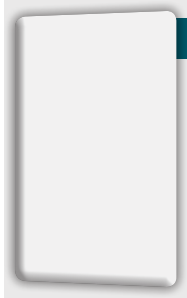
INCLUDED:



OPTIONAL:



HARDWARE COLOR OPTIONS



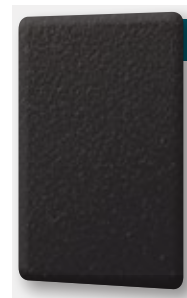
WHITE



DESERT SAND

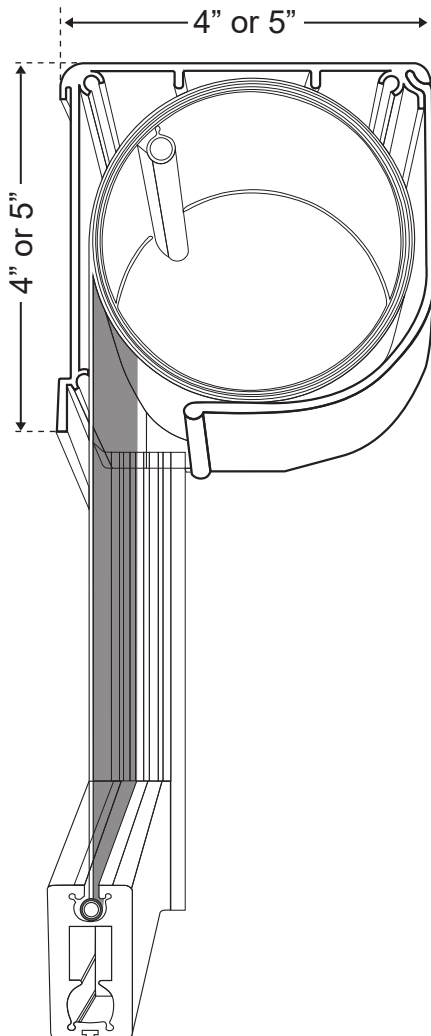


SPARTAN BRONZE
Eclipse Unique Color



ONYX

UNIT PROFILE VIEWS

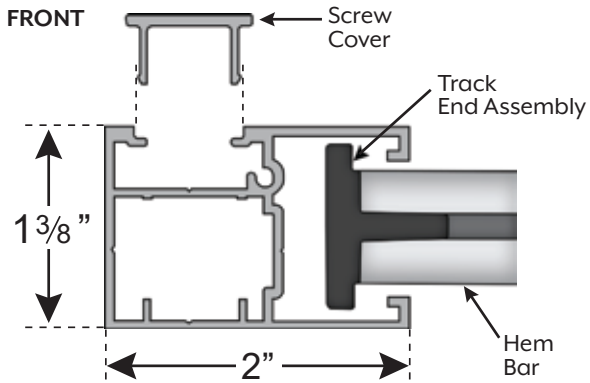


4" AND 5" HD CASSETTE

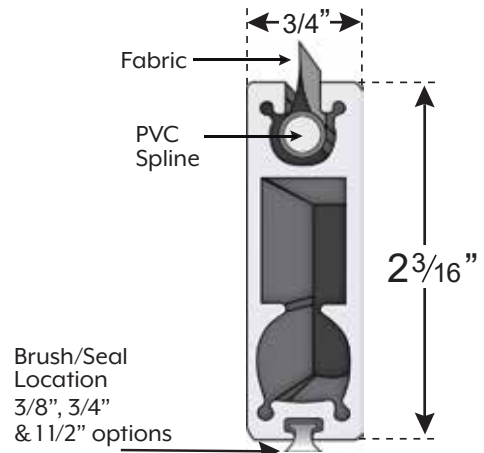
- Class 6 wind resistance tested to 80 mph
- Available in widths up to 288" (24'), measured from outside edge to outside edge of the cassette box
- Available in drops up to 240" (20'), measured from the top of the cassette box to the bottom of the hem/weight bar. Max drops not available in all fabrics
- Unit can be surface or recessed mounted
- Motorized unit with Somfy Maestria RTS motor, full electronics are available
- Heavy duty 70mm, 78mm or 85mm roller tube, depending on unit width
- 5" x 5" or 4" x 4" aluminum cassette box with aluminum cast end caps
- Available in a "no cassette" option
- Can select from several solar shading fabrics
- Hem/weight bar includes a 3/8" deep nylon brush to seal to floor surface. Other depths also available
- Stationary aluminum side track to provide smoother installations and long-term operations
- For cable guided units (no tracks) the hem bar has dual metal cable guides
- Standard seam placement will be as high as possible or specific seam placement is available; seam placement is measured from the bottom of the hem/weight bar

UNIT PROFILE VIEWS

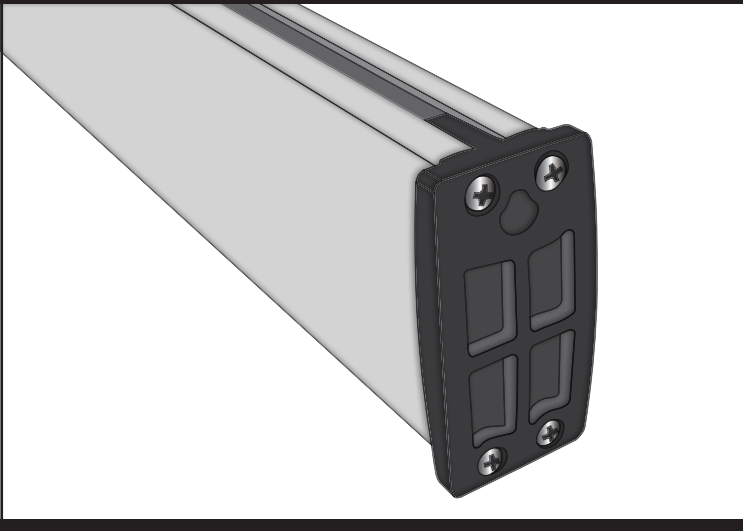
HD SCREEN • Side Track (Top View)



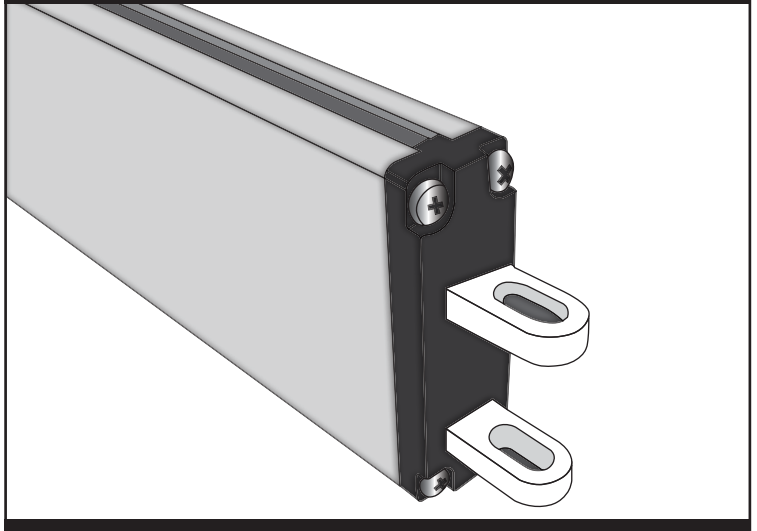
HD SCREEN • Hem Bar (Side View)



HD SCREEN • Hem Bar - Track End Assembly

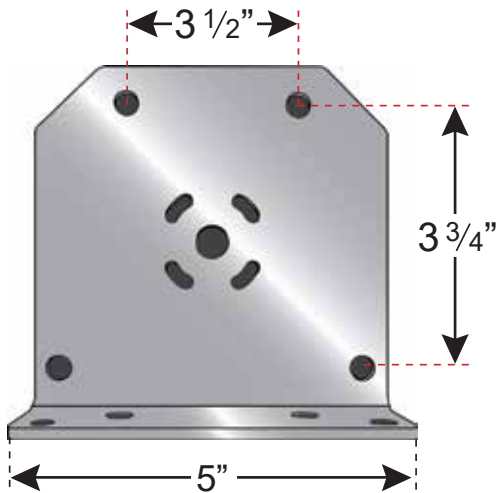


HD SCREEN • Hem Bar - Cable End Assembly



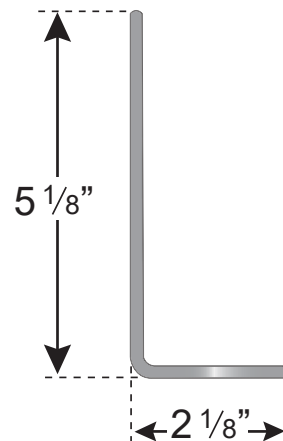
HD SCREEN

5" No Cassette Bracket - Front View



HD SCREEN

5" No Cassette Bracket - Side View



INSTALLATION RESOURCES

