

LT50 Altus® RTS

Star Head and Round Head Motors

506S2	1033399	535A2	1038168
510S2	1038165	540R2	1240556
525A2	1043423	550R2	1038170
530R2	1038169		

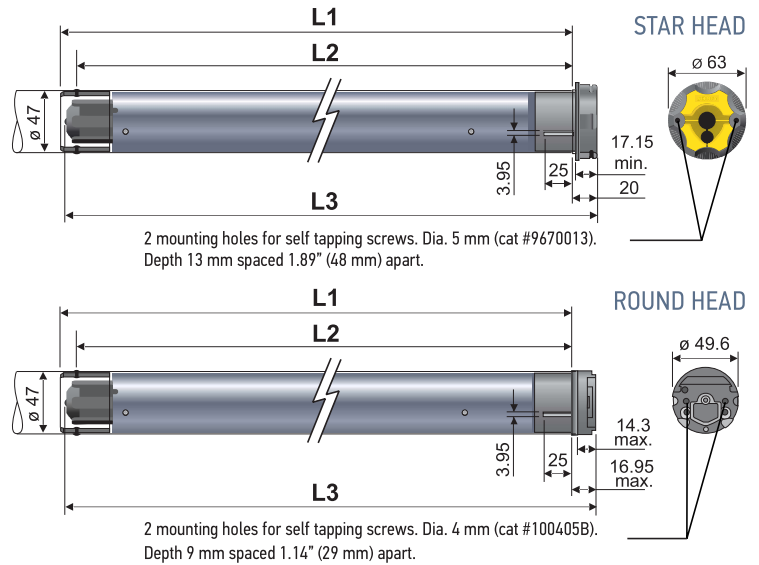


Radio Technology Somfy® (RTS) allows for wireless radio control of motorized window coverings via the RTS family of controls.

Technical Features

Voltage Supply	120V AC, 60Hz
Index Protection Rating	IP 44
Limit Switch Type	Electronic RTS
Limit Switch Capacity	250 Turns
Temperature Working Range	14°F to 104°F (-10°C to 40°C)
Insulation Class	Class 1 for 120V AC
Wiring	Integrated into power cord. Must be at least 12 inches and must not come in contact with metal.

Dimensions



Dimensions	506	510	525	530	535	540	550
L1	23.82 in. (605 mm)	23.82 in. (605 mm)	23.82 in. (605 mm)	23.82 in. (605 mm)	26.57 in. (675 mm)	25.79 in. (655 mm)	26.57 in. (675 mm)
L2	23.23 in. (590 mm)	23.23 in. (590 mm)	23.23 in. (590 mm)	23.23 in. (590 mm)	25.98 in. (660 mm)	25.20 in. (640 mm)	25.98 in. (660 mm)
L3	24.13 in. (613 mm)	24.13 in. (613 mm)	24.13 in. (613 mm)	24.13 in. (613 mm)	26.89 in. (683 mm)	26.10 in. (663 mm)	26.89 in. (683 mm)
Cable Length	9.8 ft. (3 m)	9.8 ft. (3 m)	9.8 ft. (3 m)	9.8 ft. (3 m)	9.8 ft. (3 m)	9.8 ft. (3 m)	9.8 ft. (3 m)

Specifications

	506	510	525	530	535	540	550
Torque	6 Nm	10 Nm	25 Nm	30 Nm	35 Nm	40 Nm	50 Nm
Nominal Voltage	120V/60Hz						
Rated Current	1.1A	1.3A	1.6A	1.5A	2.1A	1.8A	2.1A
Speed	38 rpm	38 rpm	20 rpm	14 rpm	20 rpm	14 rpm	14 rpm
Thermal Protection	5 minutes						
Radio Frequency	433.42 MHz						

Optional 3C cables available in varying lengths with NEMA plug, Fast Connector and open leads.

Type of power cable

RTS 120V AC / 60 Hz
3-conductor SJTW cable

