



The Solar Eclipse is our latest European inspired shading system. With its sleek clean design, the Solar Eclipse offers what today's discerning homeowners are looking for – function & form. From a very compact space, your custom made, on-demand shading system can span 23' wide and project up to 13' when extended.

- ▼ Awnings available up to 23'0" width x 13'0" projection
- ▼ Heavy duty torsion bar for increased unit rigidity
- ▼ Platinum Protection is included and Platinum Protection Plus is optional
- ▼ Solar Eclipse arms featuring sealed ball bearings & concealed arm belt
- ▼ Choose from more than 150 long lasting, fade resistant solution dyed acrylic **sunbrella** fabrics to best match your unique décor and style
- ▼ Motorized, with a full line of electronic enhancements by **somfy**
- ▼ Frame available in Alpine and Onyx (matte finishes)
- ▼ Optional motorized drop shade in both formats up to 11'6" projection

WARRANTY INFORMATION

Frame: Lifetime*

Fabric: 12 Years*

Motor/Electronics: 8 Years*

*To the original purchaser

INCLUDED:



OPTIONAL:



HARDWARE COLOR OPTIONS



ALPINE



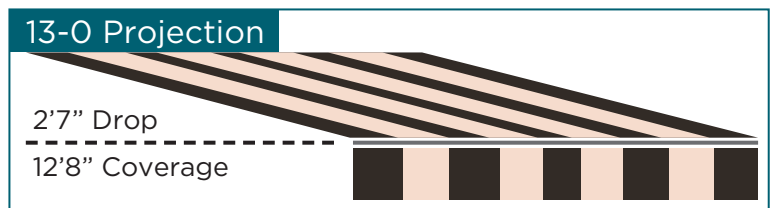
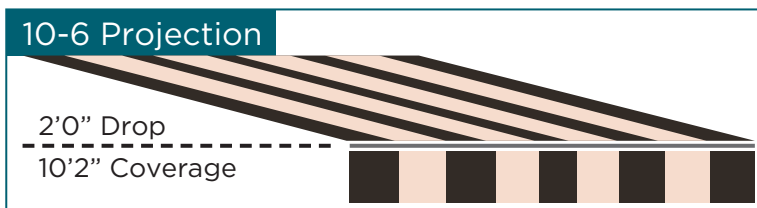
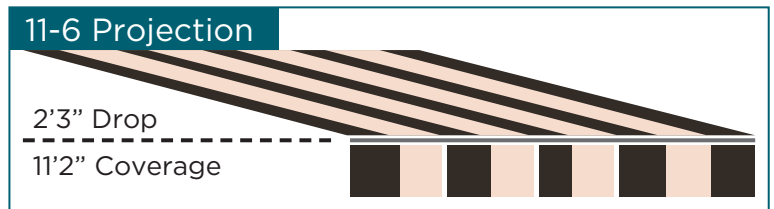
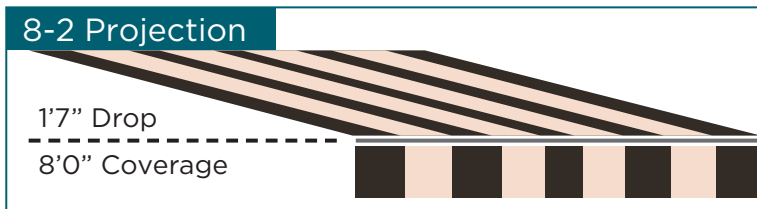
ONYX

MINIMUM WIDTHS

(Semi Cassette)	
MINIMUM WIDTHS	
Projection	Minimum Width
8'2"	10'2"
10'6"	13'0"
11'6"	13'9"
13'0"	15'5"

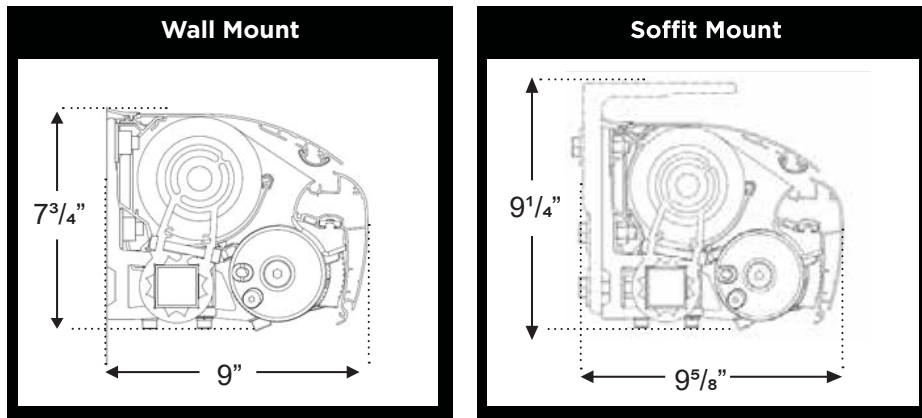
(Full Cassette)	
MINIMUM WIDTHS	
Projection	Minimum Width
8'2"	10'2"
10'6"	13'0"
11'6"	13'9"
13'0"	15'5"

MINIMUM PITCH REQUIREMENTS

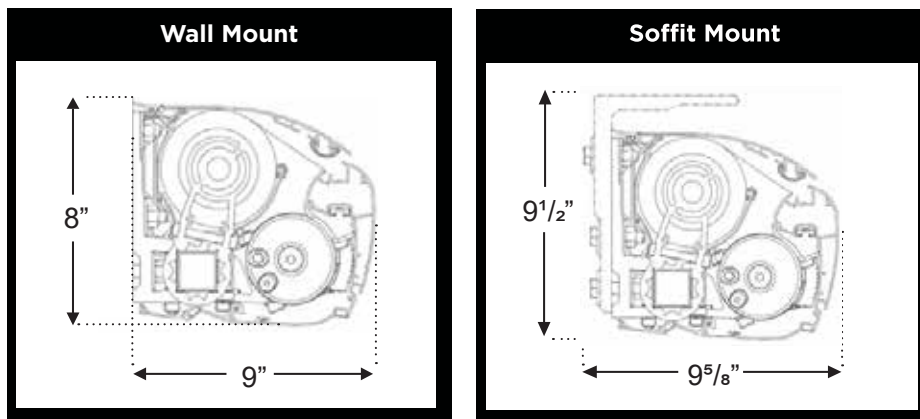


UNIT PROFILE VIEWS

SOLAR ECLIPSE WITH SEMI CASSETTE



SOLAR ECLIPSE WITH FULL CASSETTE

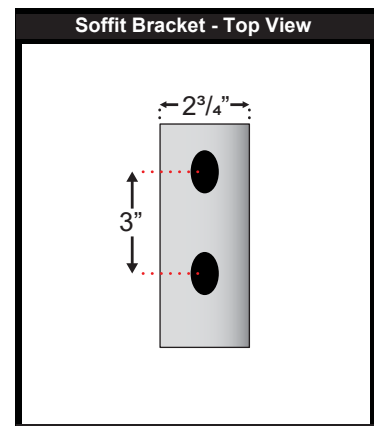
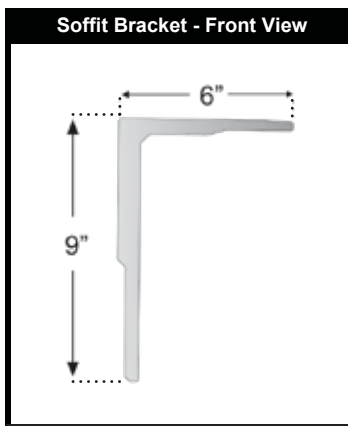
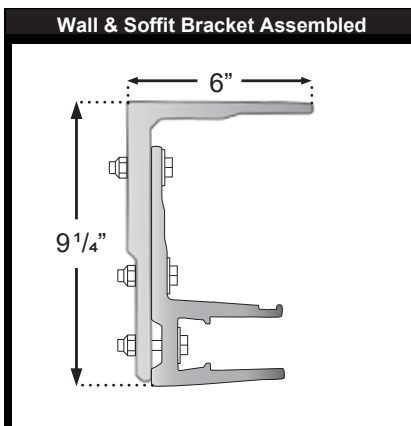
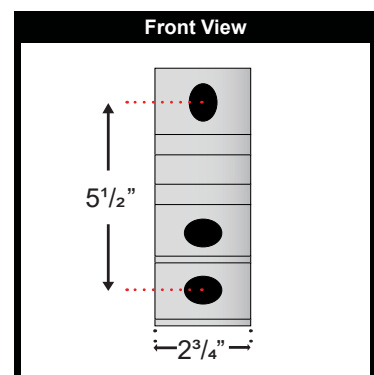
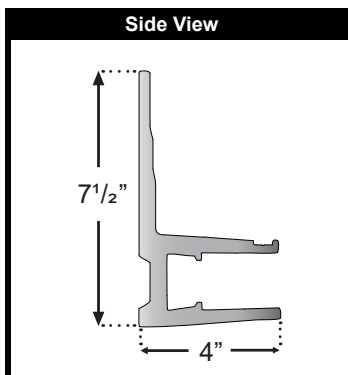


BRACKET DETAILS

40 X 40mm
 WALL & SOFFIT MOUNT BRACKET

- All Sizes
- All Formats
- All Options

Bracket Holes : 0.5" x 0.75"



INSTALLATION RESOURCES

NUMBER OF ARMS BY PROJECTION (SEMI & FULL CASSETTE)

2 Arms	8'2"	10'6"	11'6"	13'0"
Min Widths	10'-2"	13'-0"	13'-9"	15'-5"
Max Widths	20'-0"	20'-0"	19'-11 7/8"	22'-6"

3 Arms	8'2"	10'6"	11'6"	13'0"
Min Widths	20'-01/8"	20'-01/8"	20'-0"	22'-6 1/8"
Max Widths	23'-0"	23'-0"	23'-0"	23'-0"

INSTALLATION BRACKET ASSIGNMENT (SEMI & FULL CASSETTE)

Install Bracket Count	Unit Projection			
	8'2" *	10'6" *	11'6" *	13'0"
3	up to 12' 11 7/8"			
4	13'0" to 16' 11 7/8"	up to 16'11 7/8"	up to 16'11 7/8"	up to 16'11 7/8"
5	17'0" to 20'0"	17'0" to 20'0"	17'0" to 19'11 7/8"	17'0" to 19'11 7/8"
6	20'0 1/8" to 23'0"	20'0 1/8" to 23'0"	20'0" to 23'0"	20'0" to 23'0"

* Units with an optional Drop Shade will include an additional installation bracket above what is shown. Drop Shade not available on 13'0" projection.

SPECIAL FEATURES

