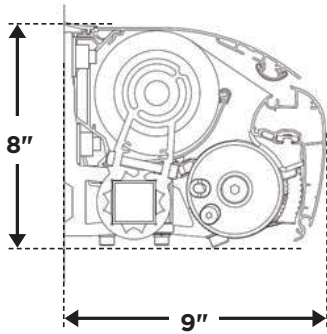
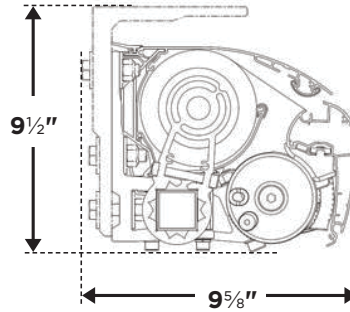


Solar Eclipse Semi & Full Cassette Design Specifications

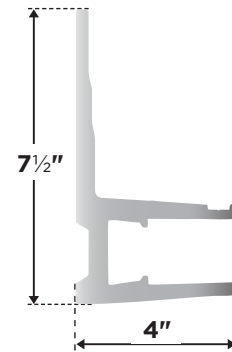
Solar Eclipse SC - Wall Mount



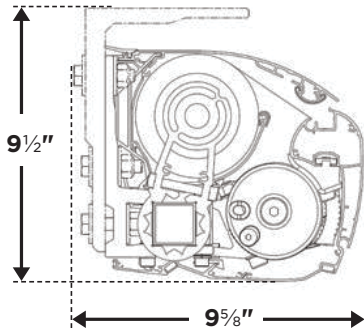
Solar Eclipse SC - Wall Mount



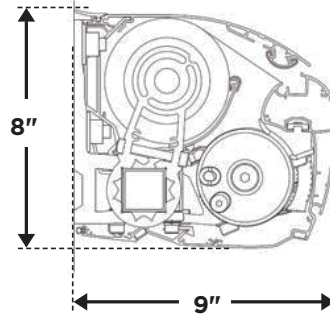
Wall Bracket - Side View



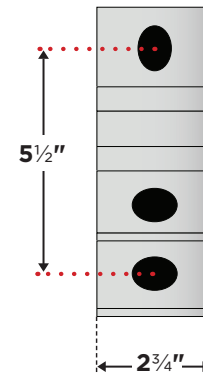
Solar Eclipse FC - Soffit Mount



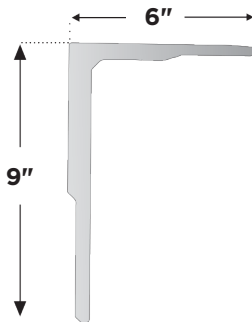
Solar Eclipse FC - Soffit Mount



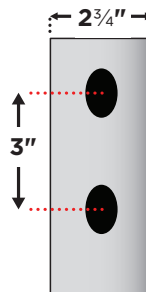
Wall Bracket - Front View



Soffit Bracket - Front View



Soffit Bracket - Top View



Application Data

- o Ultra premium grade lateral arm
- o Maximum width of 23'
- o Projections range from 8'7" to 13'0"

Electronic Options

- o Wind sensor
- o Sun sensor
- o Rain sensor
- o Wireless wall switches
- o Multi channel transmitters
- o App controlled connectivity

Standard Feature

- o Exposed 10 cable ABT belt system
- o Plug-in motor with override motor
- o 40mm aluminum torsion bar

Hardware Color Options

- o Alpine (9016 textured white)
- o Onyx (9005 textured black)
- o Sierra (custom textured)
- o Walnut (custom textured)

Fabric Options

- o 100% acrylic Sunbrella shade fabric, 150+ patterns & colors.

Fabrication Data

- o Assembled in USA
- o 70 & 78mm zinc-magnesium steel roller tube

Optional Features

- o Lighting
- o Semi or Full Cassette

