

● PREMIUM GRADE/ RESIDENTIAL



The Eclipse model is our most popular unit, offering maximum value for your investment. This awning can be mounted just about anywhere, including a specially designed roof mount. With the Eclipse, you're just a touch of a button away from everything you need (manual crank operation is available). The Eclipse features smooth clean lines in the powder coated aluminum frame, stainless steel hardware and over 900 LBS. of spring tension in the lateral arms to ensure a great looking high performance awning.

- ▼ Awning Widths up to 40' (Ships up to 26' in one piece)
- ▼ Awning Projections up to 11'6"
- ▼ Optional Semi Cassette option up to 22' wide x 11'6" projection
- ▼ Blocks up to 98% of harmful UV rays
- ▼ Choose from more than 150 long lasting, fade resistant solution dyed acrylic **sunbrella** fabrics to best match your unique décor and style
- ▼ Motorized push operation by **somfy**
- ▼ Features Advanced Belt Technology® (ABT)
- ▼ Platinum Protection extended warranty coverage available
- ▼ Frame available in White, Camel, and Spartan Bronze

PRODUCT DETAILS AND TECHNICAL SPECS

WARRANTY INFORMATION

Frame: 10 Years*

Fabric: 10 Years*

Motor/Electronics: 5 Years*

*To the original purchaser
Includes lifetime on fabric & motor*

OPTIONAL:



OPTIONAL:



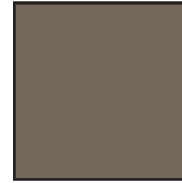
HARDWARE COLOR OPTIONS



WHITE



CAMEL



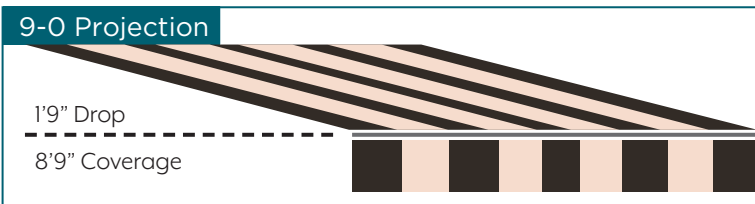
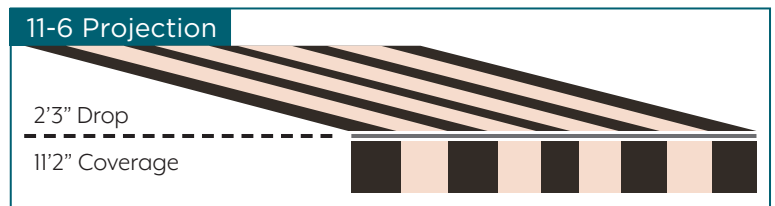
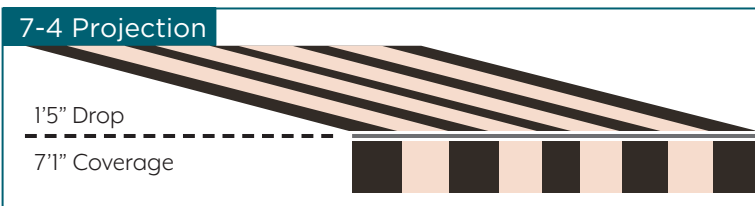
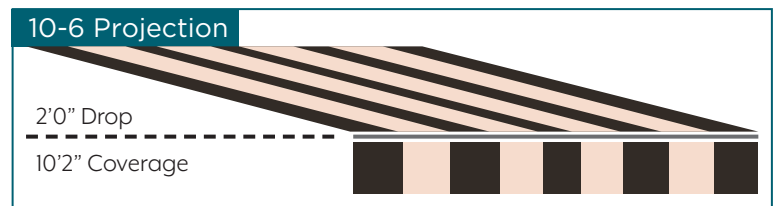
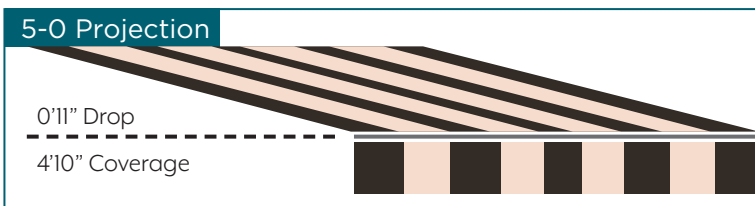
SPARTAN BRONZE

MINIMUM WIDTHS

Open Roller or Standard Hood		
Projection	Minimum Widths	
	Cross Arm	Standard
5'0"	4'0"	6'7"
7'4"	5'6"	9'1"
9'0"	6'6"	10'8"
10'6"	7'6"	12'4"
11'6"	8'0"	13'2"

MINIMUM WIDTHS	
<i>(Semi Cassette ONLY)</i>	
Projection	Minimum Width
6'7"	8'9"
8'2"	10'5"
10'6"	12'10"
11'6"	13'8"

MINIMUM PITCH REQUIREMENTS

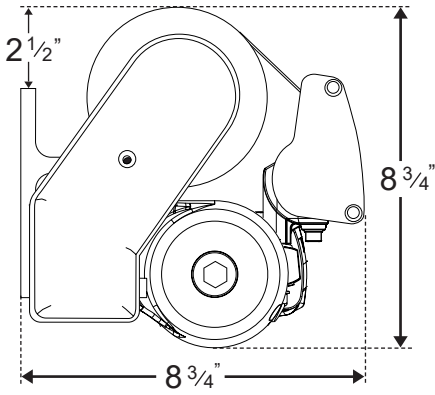


- Semi Cassette Notes:**
- ▶ Not available in manual operation or with standard 4 wire motors
 - ▶ Up to 22' width x 11'6" projection

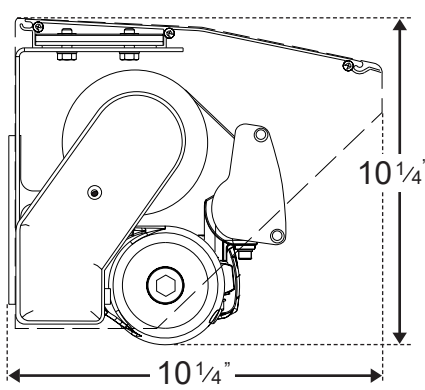
UNIT PROFILE VIEWS

THE ECLIPSE

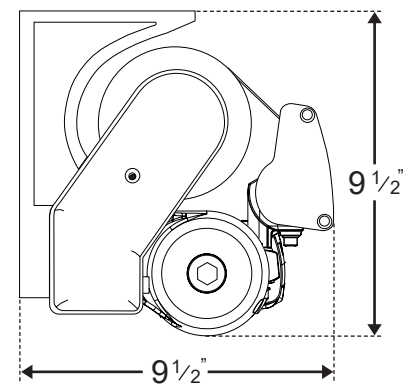
ECLIPSE
Wall Mount (No Hood)



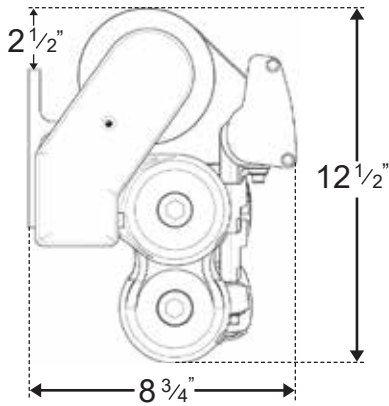
ECLIPSE
Wall Mount (With Hood)



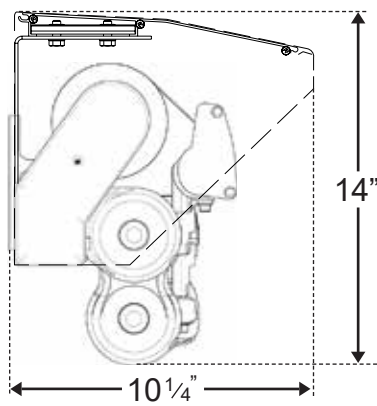
ECLIPSE
Soffit Mount (no hood option available)



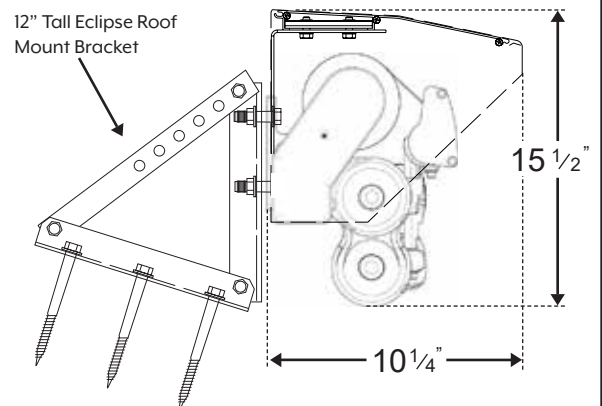
ECLIPSE - Cross Arm
Wall Mounted (no hood)



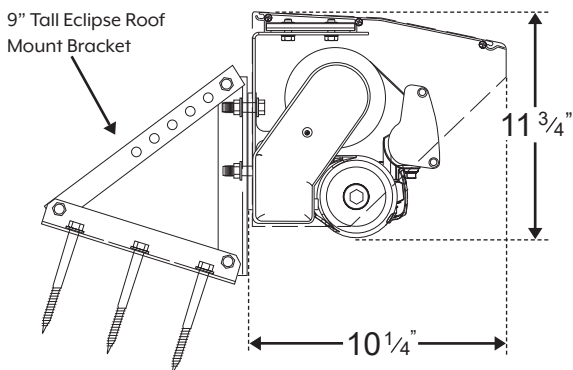
ECLIPSE - Cross Arm
Wall Mounted (with hood)



ECLIPSE - Cross Arm
Roof Mount (with 12" roof brackets & hood)

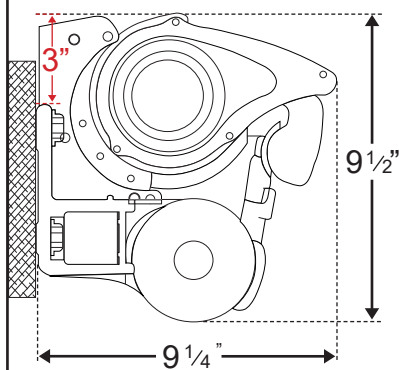


ECLIPSE - Roof Mount
(with 9" roof brackets & hood)

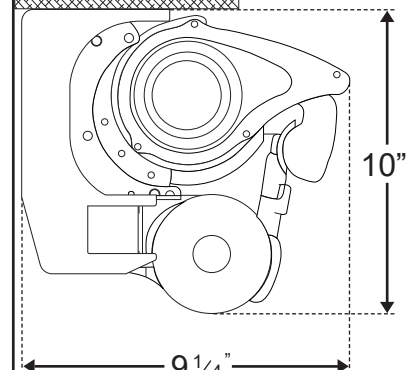


SEMI CASSETTE

ECLIPSE SC - Wall Mounted



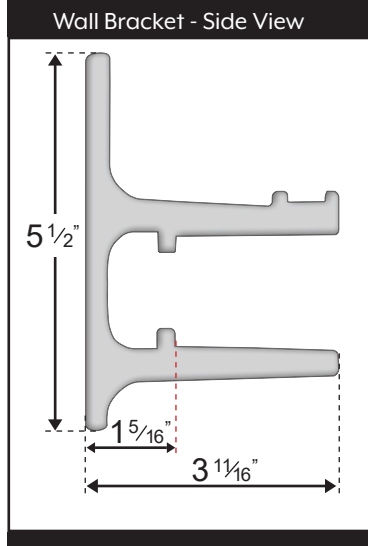
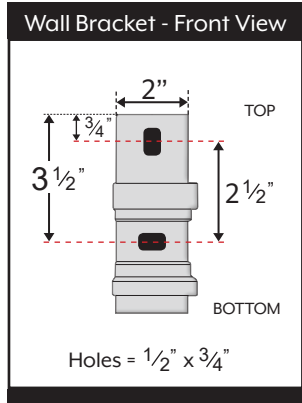
ECLIPSE SC - Soffit Mounted



BRACKETING & ARM COUNT DETAILS

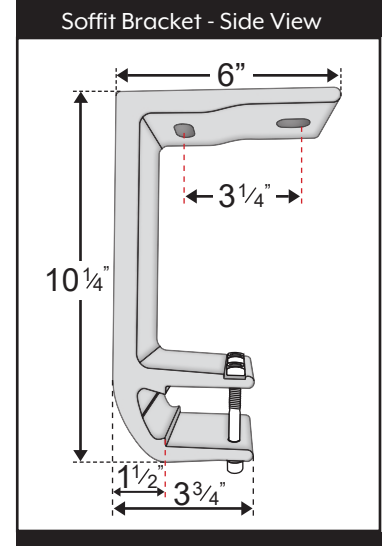
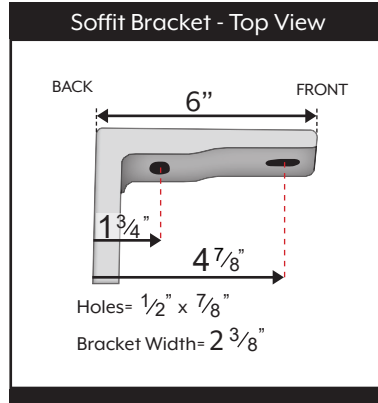
40 x 40mm WALL MOUNT BRACKET

- All Sizes
- All Formats
- All Options



40 x 40mm SOFFIT MOUNT BRACKET

- 11'6" PROJECTION & OVER
- All Projections with Drop Shade
- All Formats
- All Options



*For all units up to 11'6" projections or with drop shade, please refer to the Bracket Details in the Eclipse Premier Technical Specs Guide.

Standard Unit - Arms by Projection	Projection	Unit Width	# of Arms
	5'0"	up to 20'0"	2
	5'0"	20'0 1/8" to 40'0"	4
	7'4"	up to 20'0"	2
	7'4"	20'0 1/8" to 40'0"	4
	9'0"	up to 20'0"	2
	9'0"	20'0 1/8" to 23'0"	3
	9'0"	23'0 1/8" to 40'0"	4
	10'6"	up to 20'0"	2
	10'6"	20'0 1/8" to 26'0"	3
	10'6"	26'0 1/8" to 40'0"	4
	11'6"	up to 19'0"	2
	11'6"	19'0 1/8" to 30'0"	3
	11'6"	30'0 1/8" to 40'0"	4

Standard Unit - Installation Bracket Assignment				
Bracket Count	Projection			
	5'0" and 7'4"	9'0"	10'6"	11'6"
3	up to 12' 11 7/8"	up to 12' 11 7/8"	up to 12' 11 7/8"	up to 10' 11 7/8"
4	13' to 16' 11 7/8"	13' to 16' 11 7/8"	13' to 16' 11 7/8"	11' to 16' 11 7/8"
5	17' to 20'	17' to 20'	17' to 20'	17' to 19' 11 7/8"
6	N/A	N/A	20' 1/8" to 22' 11 7/8"	20' 1/8" to 22' 11 7/8"
7	N/A	N/A	23' to 30' 11 7/8"	23' to 30' 11 7/8"
8	20' 1/8" to 34' 11 7/8"	20' 1/8" to 34' 11 7/8"	27' to 34' 11 7/8"	27' to 34' 11 7/8"
9	35' to 36' 11 7/8"	35' to 36' 11 7/8"	35' to 36' 11 7/8"	35' to 36' 11 7/8"
10	37' to 40'	37' to 40'	37' to 40'	37' to 40'

Semi Cassette - Arms by Projection	Projection	Unit Width	# of Arms
	5'0"	up to 20'1"	2
	5'0"	20'0 1/8" to 22'0"	4
	7'4"	up to 20'0"	2
	7'4"	20'0 1/8" to 22'0"	4
	9'0"	up to 20'0"	2
	9'0"	20'0 1/8" to 22'0"	3
	10'6"	up to 20'0"	2
	10'6"	20'0 1/8" to 22'0"	3
	11'6"	up to 19'0"	2
	11'6"	19'0 1/8" to 22'0"	3

Semi Cassette - Installation Bracket Assignment				
Bracket Count	Projection			
	5'0" and 7'4"	9'0"	10'6"	11'6"
3	up to 12' 11 7/8"	up to 12' 11 7/8"	up to 12' 11 7/8"	up to 10' 11 7/8"
4	13' to 16' 11 7/8"	13' to 16' 11 7/8"	13' to 16' 11 7/8"	11' to 16' 11 7/8"
5	17' to 20'	17' to 20'	13' to 16' 11 7/8"	17' to 19' 11 7/8"
6	N/A	N/A	20' 1/8" to 22'0"	20' 1/8" to 22' 11 7/8"
7	N/A	N/A	N/A	N/A
8	20' 1/8" to 22'0"	20' 1/8" to 22'0"	N/A	N/A