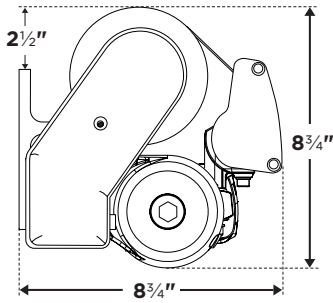
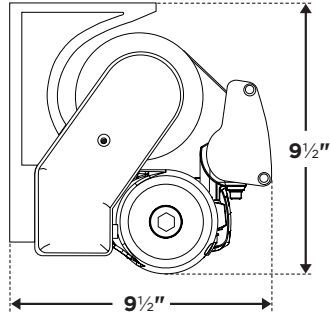


The Eclipse Design Specifications

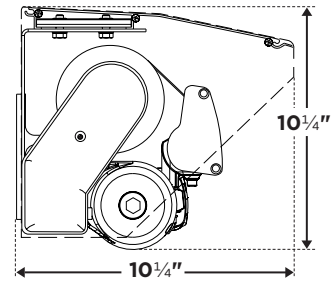
The Eclipse - Wall Mount
(No Hood)



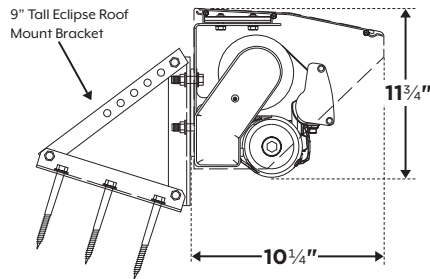
The Eclipse - Soffit Mount
(No hood option available)



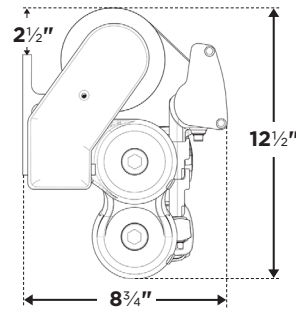
The Eclipse - Wall Mount
(With Hood)



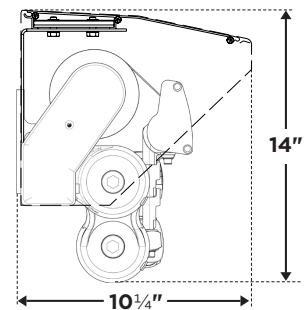
The Eclipse - Roof Mount
(With 9" roof brackets & hood)



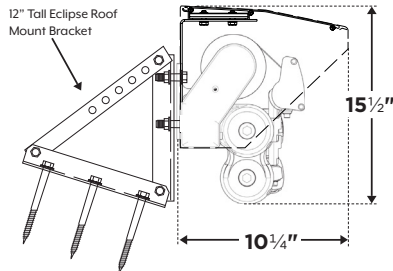
The Eclipse - Cross Arm
Wall Mounted (No hood)



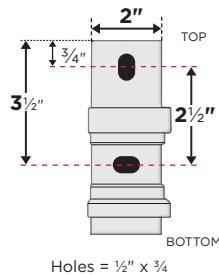
The Eclipse - Cross Arm
Wall Mounted (With hood)



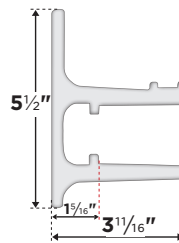
The Eclipse - Cross Arm
Roof Mount (With 12" roof brackets & hood)



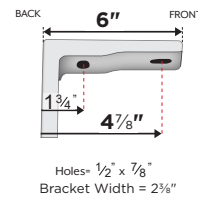
Wall Bracket
Front View



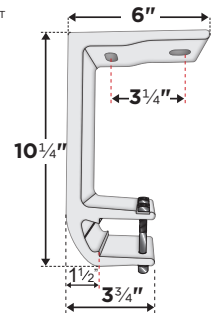
Wall Bracket
Side View



Soffit Bracket
Top View



Soffit Bracket
Side View



Application Data

- o Premium grade lateral arms
- o Widths from 6' to 40'
- o Projections range from 5'0" to 11'6"

Electronic Options

- o Wind sensor
- o Sun sensor
- o Rain sensor
- o Wireless wall switches
- o Multi channel transmitters
- o App controlled connectivity

Standard Feature

- o 9 cable ABT belt system
- o Plug-in motor with override
- o 40mm aluminum torsion bar

Hardware Color Options

- o White (9016 gloss)
- o Camel (Custom gloss)
- o Spartan Bronze (Custom gloss)

Fabric Options

- o 100% acrylic Sunbrella shade fabric, 150+ patterns & colors.

Mounting Options

- o Wall
- o Soffit
- o Roof

Optional Features

- o Lighting
- o Cross arm
- o Front drop shade

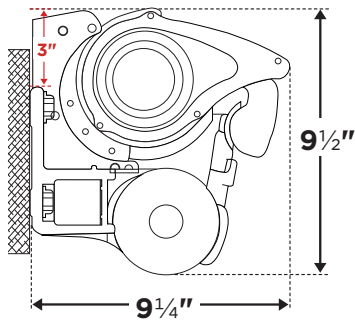
Fabrication Data

- o Assembled in USA
- o 70mm & 78mm zinc-magnesium steel roller tube

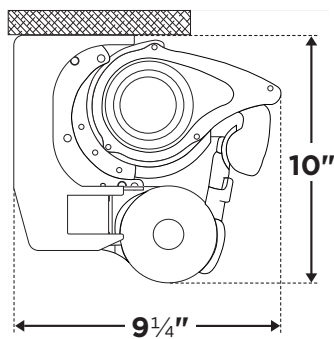


The Eclipse Semi Cassette Design Specifications

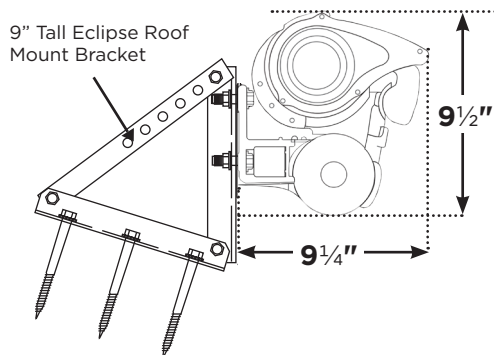
The Eclipse SC - Wall Mount



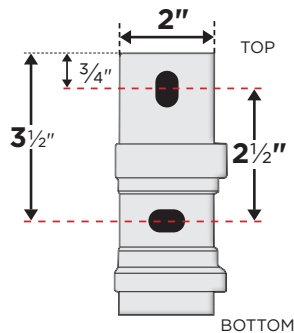
The Eclipse SC - Soffit Mount



The Eclipse SC - Soffit Mount

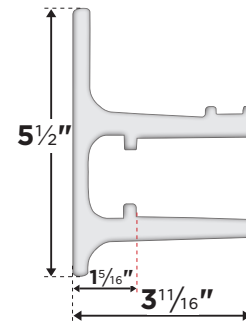


Wall Bracket Front View

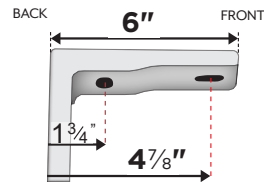


Holes = 1/2" x 3/4"

Wall Bracket Side View

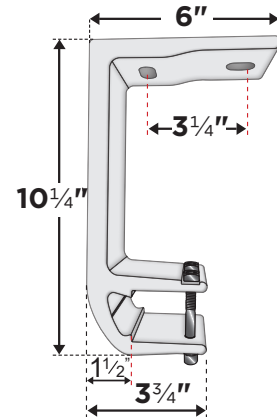


Soffit Bracket Top View



Holes = 1/2" x 7/8"
Bracket Width = 2 3/8"

Soffit Bracket Side View



Application Data

- Premium grade lateral arms
- Widths from 7' to 22'
- Projections range from 5'0" to 11'6"

Electronic Options

- Wind sensor
- Sun sensor
- Rain sensor
- Wireless wall switches
- Multi channel transmitters
- App controlled connectivity

Standard Feature

- 9 cable ABT belt system
- Plug-in motor with override
- Powder coated aluminum housing

Hardware Color Options

- White (9016 gloss)
- Camel (Custom gloss)
- Spartan Bronze (Custom gloss)

Fabric Options

- 100% acrylic Sunbrella shade fabric, 150+ patterns & colors

Mounting Options

- Wall
- Soffit
- Roof

Optional Features

- Lighting

Fabrication Data

- Assembled in USA
- 70mm zinc-magnesium steel roller tube
- 40mm square aluminum torsion bar

