



**MIAMI-DADE
COUNTY**

— APPROVAL —
NOA# 20 - 124.02

Many deck or porch awnings don't give you complete coverage, leaving some parts of your deck exposed to the sun. The Total Eclipse is the perfect awning if you have a large outdoor living space. With its extra long projection, it's ideal for commercial use too. The Total Eclipse retractable awning is the best way to maximize your protection from the sun and the heat.

- ▼ Awning Widths up to 40' (Ships up to 26' in one piece)
- ▼ Awning Projections of 14'9" and 16'6"
- ▼ Heavy Duty, Commercial Grade
- ▼ Optional Protective Hood
- ▼ Choose from more than 150 long lasting, fade resistant solution dyed acrylic **sunbrella** fabrics to best match your unique décor and style
- ▼ Motorized, with a full line of electronic enhancements by **somfy**
- ▼ Heavy duty 50mm x 50mm torsion bar for increased unit rigidity
- ▼ Platinum Protection extended warranty coverage included
- ▼ Frame available in White, Camel, and Spartan Bronze.

PRODUCT DETAILS AND TECHNICAL SPECS

WARRANTY INFORMATION

Frame: Lifetime*

Fabric: 10 Years*

Motor/Electronics: 8 Years*

*To the original purchaser

Includes lifetime on fabric ,motor and electronics*

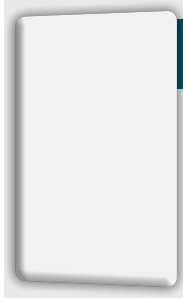
INCLUDED:



OPTIONAL:



HARDWARE COLOR OPTIONS



WHITE
RAL 9016



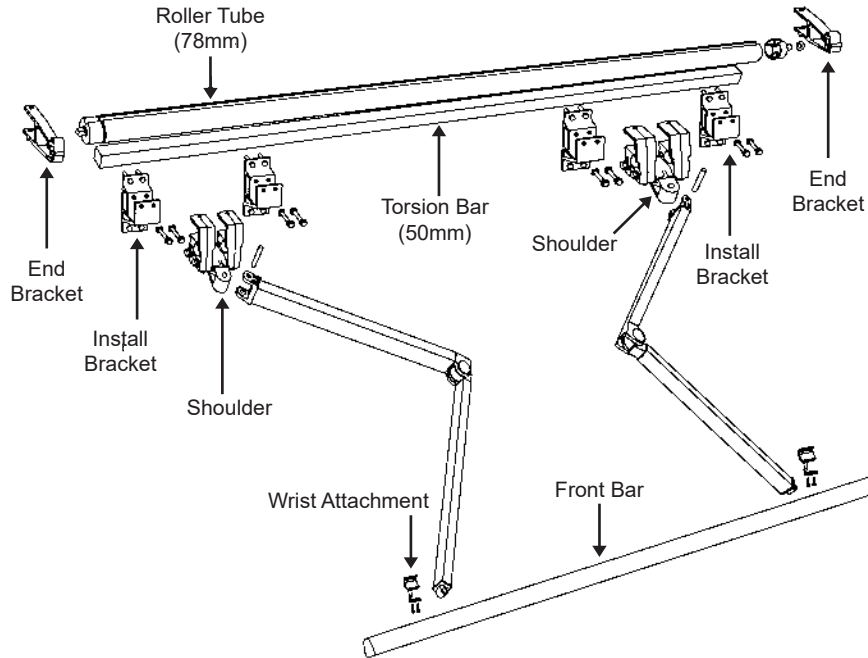
CAMEL
RAL 1019



SPARTAN BRONZE
Eclipse Unique Color

UNIT EXPANDED VIEW

*Optional Hood
Not Shown Here

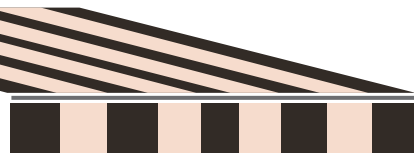


MINIMUM PITCH REQUIREMENTS

14-9 Projection

3'0" Drop

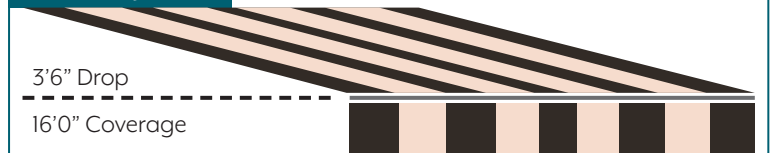
14'5" Coverage



16-6 Projection

3'6" Drop

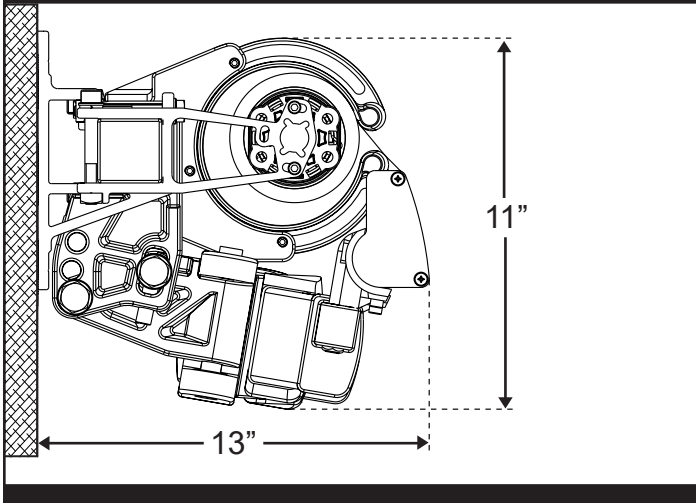
16'0" Coverage



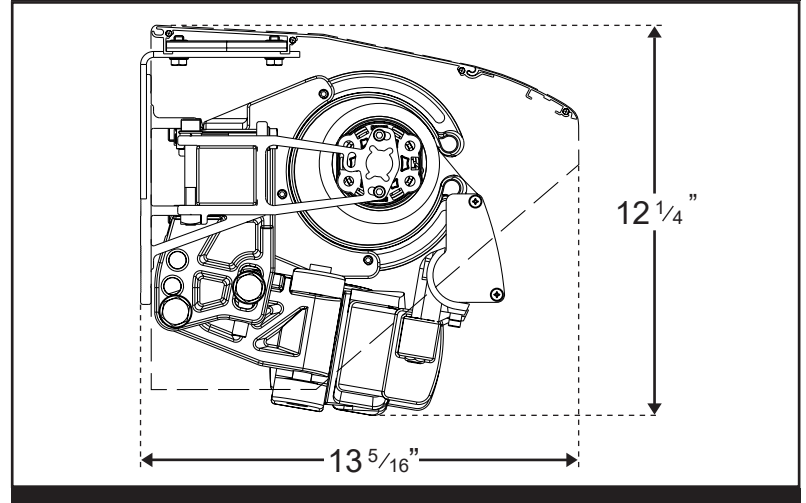
UNIT PROFILE VIEWS

TOTAL ECLIPSE

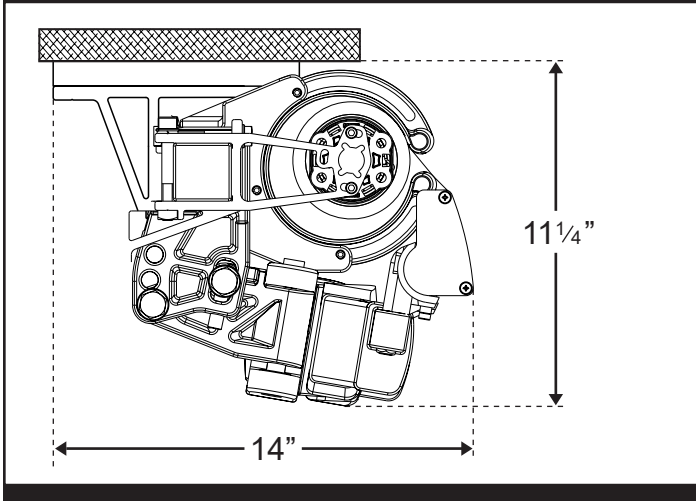
TOTAL ECLIPSE - Wall Mount (without hood)



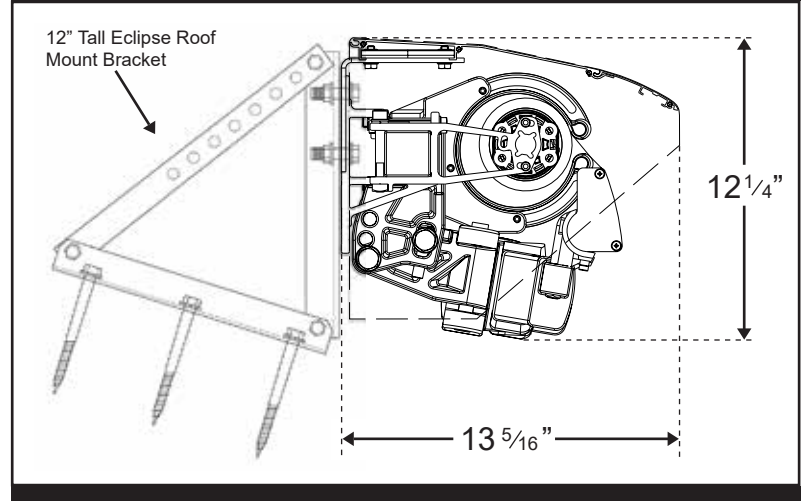
TOTAL ECLIPSE - Wall Mount (with hood)



TOTAL ECLIPSE - Soffit Mount
(no hood option available)



TOTAL ECLIPSE - Roof Mount
(with 12" roof brackets & hood)

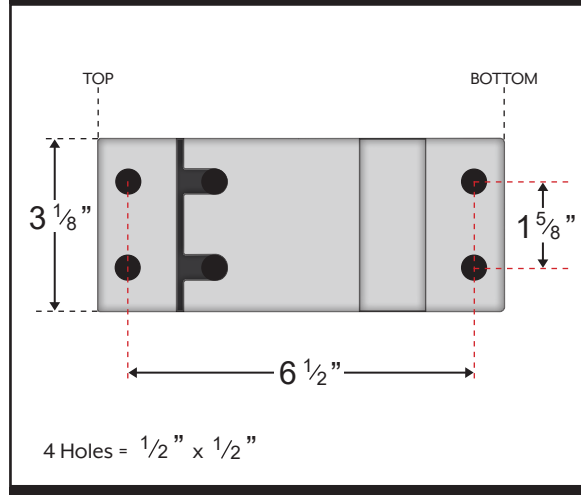


BRACKET DETAILS

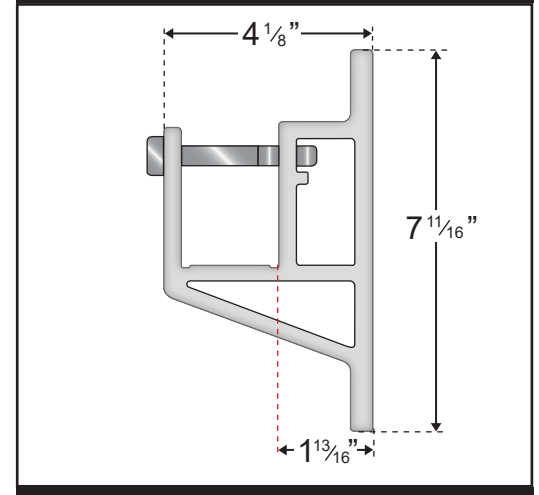
50 X 50mm
WALL/SOFFIT BRACKET

**Must use a header board
for this install bracket*

Wall and Soffit Bracket - Front View



Wall and Soffit Bracket - Side View



↓ INSTALLATION RESOURCE ↓

Total Eclipse: 14-9 Projection

Total Eclipse: 16-6 Projection

2 arms	3 arms	4 arms	
Unit Width	Install Bracket Count	Hood Bracket Count	Center Support Count
up to 20'0"	4	4	N/A
20'0"1/8 to 20'11"7/8	5	4	1
21'0" to 21'11"7/8	7	5	1
22'0" to 22'11"7/8	7	5	1
23'0" to 23'11"7/8	7	5	2
24'0" to 24'11"7/8	7	5	2
25'0" to 25'11"7/8	7	5	2
26'0" to 26'11"7/8	7	6	2
27'0" to 27'11"7/8	7	6	2
28'0" to 28'11"7/8	7	6	2
29'0" to 29'11"7/8	7	6	2
30'0" to 30'11"7/8	7	6	2
31'0" to 31'11"7/8	7	7	2
32'0" to 32'11"7/8	7	7	2
33'0" to 33'11"7/8	7	7	2
34'0" to 34'11"7/8	9	7	2
35'0" to 35'11"7/8	9	7	2
36'0" to 36'11"7/8	9	8	2
37'0" to 37'11"7/8	11	8	3
38'0" to 38'11"7/8	11	8	3
39'0" to 39'11"7/8	11	8	3
40'0"+	11	8	3
Product Notes:			
First center support starts at 20-0 1/8		2 arms: 16'5 1/2" to 28'11 7/8"	
Second center support starts at 22-10 1/8		3 arms: 29'0" to 38'11 7/8"	
Third center support starts at 37-0 1/4		4 arms: 39'0" to 40'0"	

2 arms	3 arms	4 arms - NONE	
Unit Width	Install Bracket Count	Hood Bracket Count	Center Support Count
up to 20'0"	4	4	N/A
20'0"1/8 to 20'11"7/8	5	4	1
21'0" to 21'11"7/8	5	5	1
22'0" to 22'11"7/8	7	5	1
23'0" to 23'11"7/8	7	5	2
24'0" to 24'11"7/8	7	5	2
25'0" to 25'11"7/8	7	5	2
26'0" to 26'11"7/8	7	6	2
27'0" to 27'11"7/8	7	6	2
28'0" to 28'11"7/8	7	6	2
29'0" to 29'11"7/8	7	6	2
30'0" to 30'11"7/8	7	6	2
31'0" to 31'11"7/8	9	7	2
32'0" to 32'11"7/8	9	7	2
33'0" to 33'11"7/8	9	7	2
34'0" to 34'11"7/8	9	7	2
35'0" to 35'11"7/8	9	7	2
36'0" to 36'11"7/8	13	8	2
37'0" to 37'11"7/8	13	8	3
38'0" to 38'11"7/8	13	8	3
39'0" to 39'11"7/8	13	8	3
40'0"+	13	8	3
Product Notes:			
First center support starts at 20-0 1/8		2 arms: 18'1 1/2" to 30'11 7/8"	
Second center support starts at 22-10 1/8		3 arms: 31'0" to 40'0"	
Third center support starts at 37-0 1/4		4 arms: N/A	

↓ SPECIAL FEATURES ↓

MOUNTING & FABRIC PROTECTION ▶ The Total Eclipse can be ordered One of Three ways:

1. OPEN ROLLER

Fully exposed rolled up fabric referred to as an "Open Roller", is typically used for soffit mounting or when overhead protection is provided just above the unit.



Open Roller

2. PROTECTIVE HOOD

With a 14 1/4" deep protective hood for wall mounting when no overhead protection is present. The hood adds 1" to the overall unit length.



Protective Hood

3. ROOF MOUNT

When additional clearance is required, we recommend the protective hood in combination with our strong and sturdy 12" tall roof mount brackets.



Roof Mount