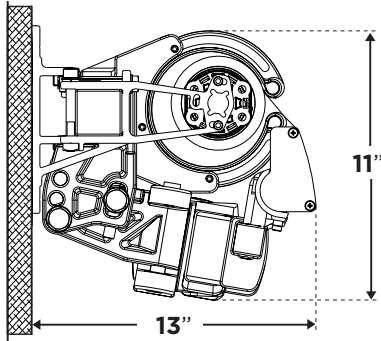
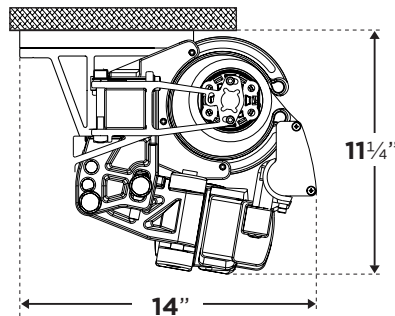


# Total Eclipse Design Specifications

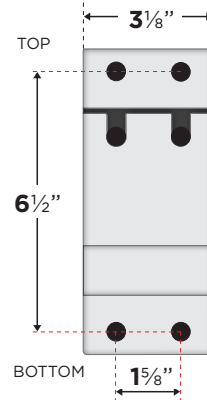
**Total Eclipse - Wall Mount**  
(No Hood)



**Total Eclipse - Soffit Mount**  
(No hood option available)

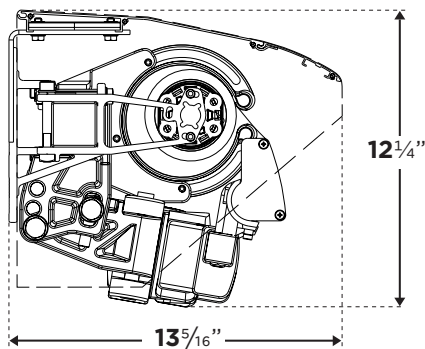


**Wall and Soffit Bracket - Front View**

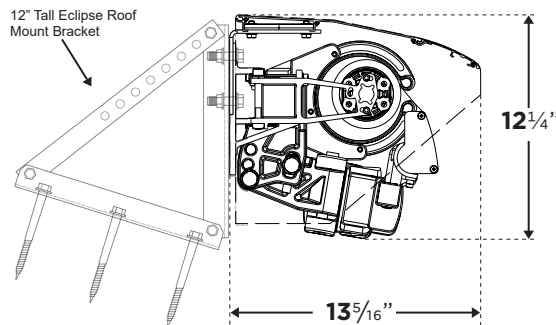


4 Holes =  
1/2" x 1/2"

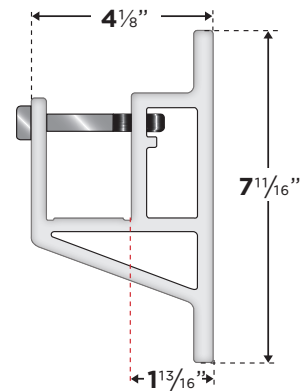
**Total Eclipse - Wall Mount**  
(With Hood)



**Total Eclipse - Roof Mount**  
(With 12" roof brackets & hood)



**Wall and Soffit Bracket - Side View**



## Application Data

- Heavy duty/Commercial grade
- Widths from 17' to 40'
- Projections range of 14'9" and 16'6"
- Miami-Dade certified NOA

## Standard Feature

- Exposed 11 cable ABT belt system
- Stainless hardware
- Plug-in motor with override
- 50mm torsion bar

## Fabric Options

- 100% acrylic Sunbrella shade fabric, 150+ patterns & colors.

## Optional Features

- Lighting
- Aluminum torsion bar
- Aluminum protective hood
- Front drop shade

## Electronic Options

- Wind sensor
- Sun sensor
- Rain sensor
- Wireless wall switches
- Multi channel transmitters
- App controlled connectivity

## Hardware Color Options

- White (9016 gloss)
- Onyx (9005 textured black)
- Camel (Custom gloss)
- Spartan Bronze (Custom gloss)

## Mounting Options

- Wall
- Soffit
- Roof

## Fabrication Data

- Assembled in USA
- 78mm zinc-magnesium steel roller tube

